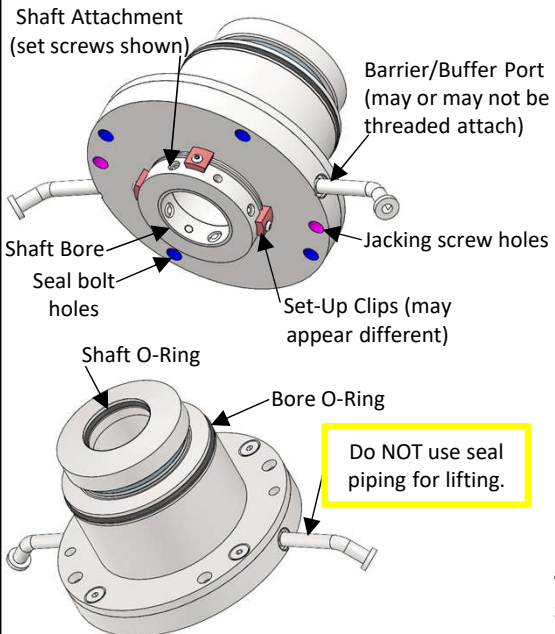


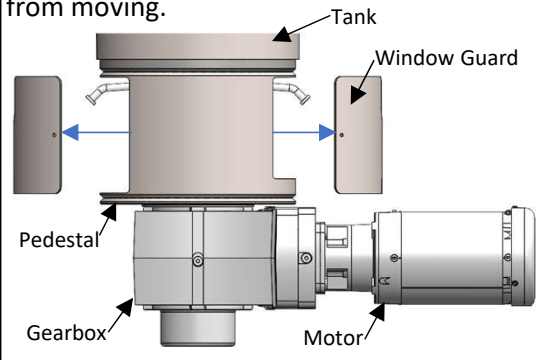
TS-115-A

BOTTOM ENTRY SEAL REMOVAL

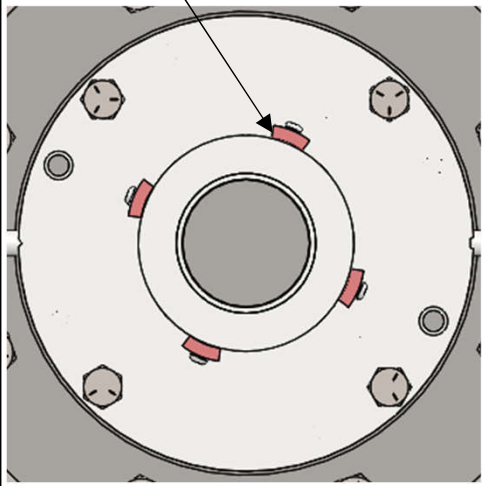
ST SEAL SHOWN



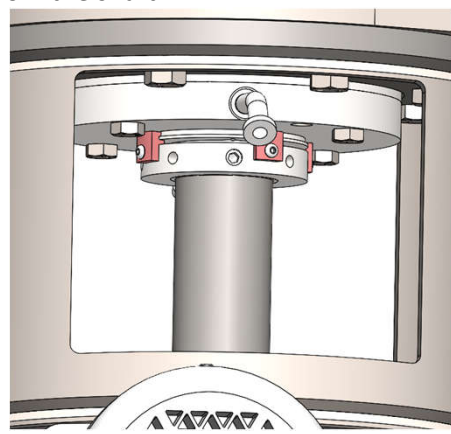
1.) Remove the window guard(s) from the pedestal. Also remove any piping from the seal that would prevent it from moving.



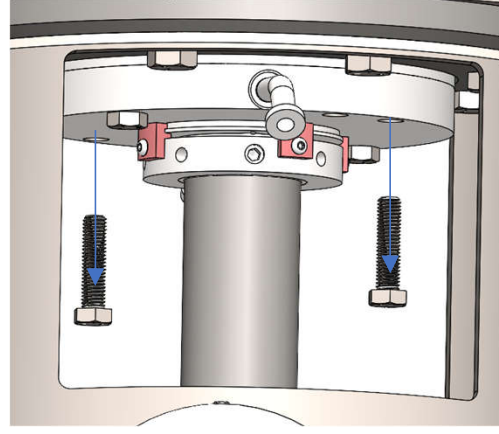
2.) Install the seal set-up clips onto the seal.



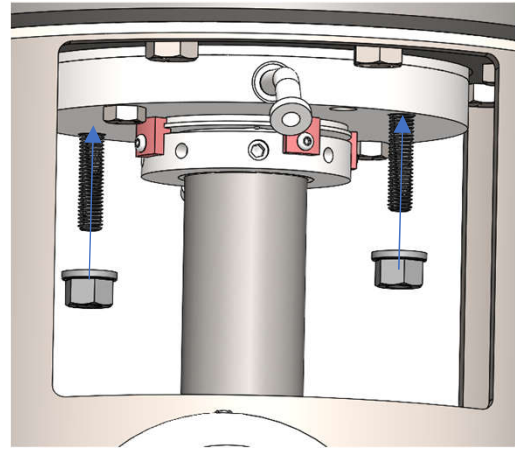
3.) Follow the seal manufacturer's instructions for detaching the seal from the shaft.



4.) Remove two opposing (~180° apart) seal mounting bolts.



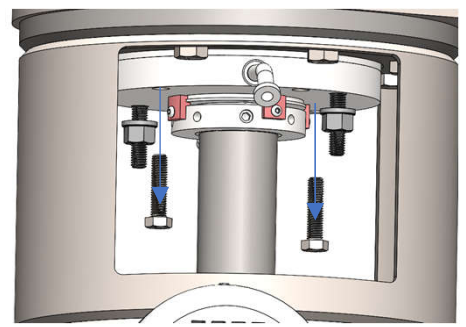
5.) Replace the two seal mounting bolts with threaded rod and nuts. Do not tighten the nuts onto the seal surface. Leave a gap of ~1/2".



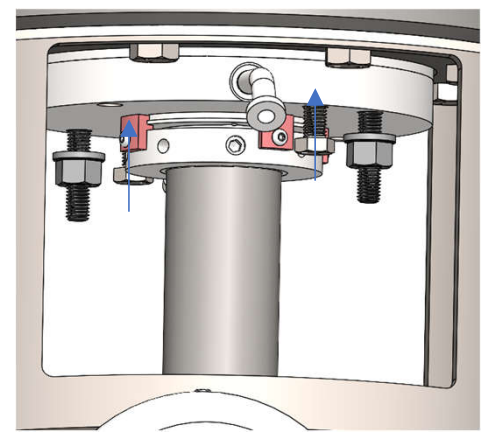
6.) Remove the remaining seal mounting bolts.

WARNING

- Seal is heavy; keep body parts clear of pinch points.



7.) Use the provided jacking screw holes to ease the seal out of the bore. Tighten the jacking screws evenly. Allow for the seal to rest on the threaded rod's nuts. The seal is now "floated". Do NOT use the jacking screws to tighten the seal to the nuts on the threaded rod. Tightening the seal to the nuts won't allow for the seal to "float". The jacking screw are just for breaking the seal loose from the bore.



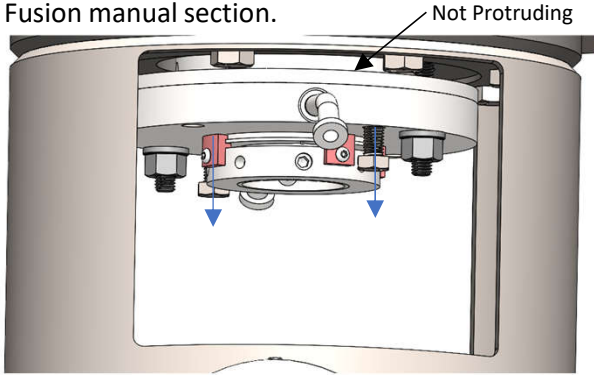
CAUTION

DISCONNECT MIXER FROM POWER SOURCE BEFORE ASSEMBLING, LIFTING, MOVING, OR SERVICING MIXER.

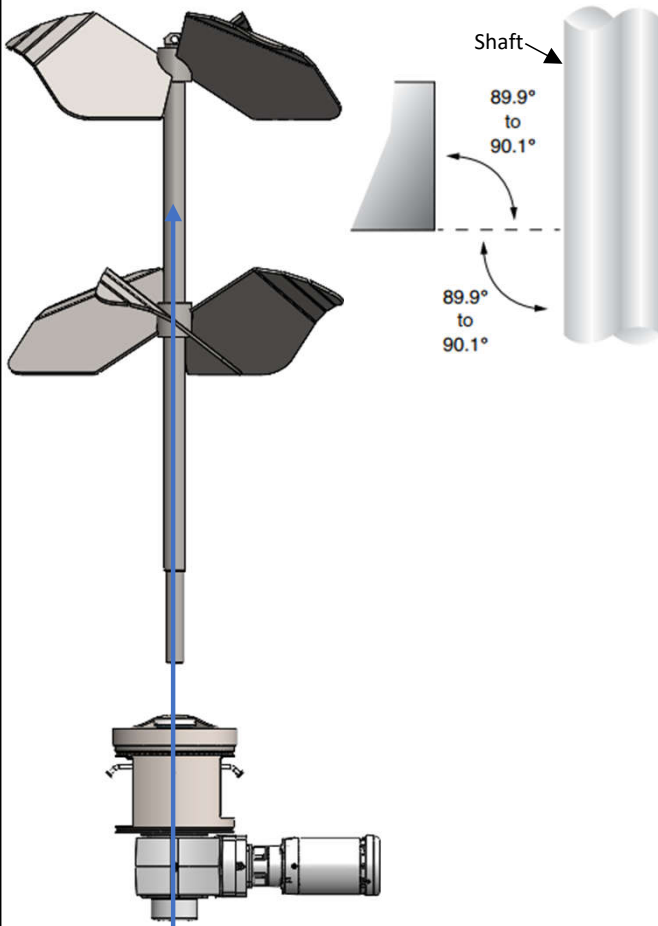
SERIES: FLOW

BOTTOM ENTRY SEAL REMOVAL

8.) Loosen the jacking screws so they don't protrude out of the tank side of the seal's face. Detach the shaft from the gearbox by following the appropriate Fusion manual section.



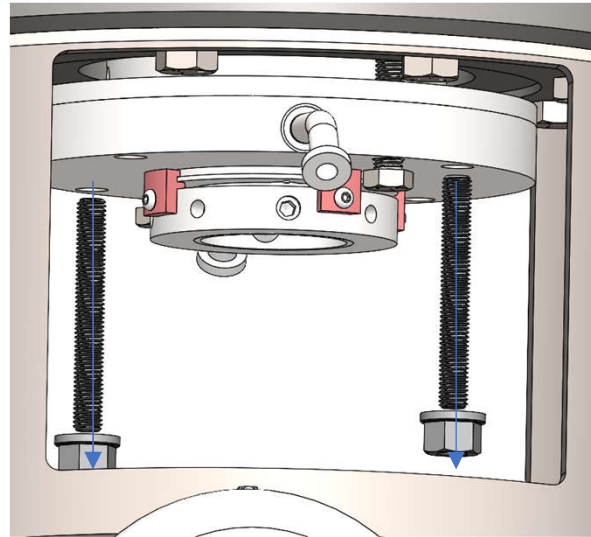
9.) Lift the shaft up and out of the gearbox, seal, pedestal, and bottom of the tank. Rig the shaft for installation in a way that adheres to this image.



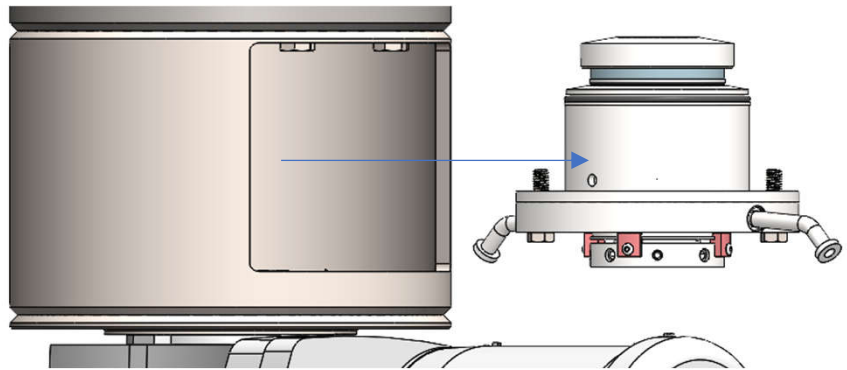
10.) Remove the nuts then threaded rod to remove the seal from the pedestal. Support the seal to prevent it from falling.

WARNING

- Seal is heavy; keep body parts clear of pinch points.



11.) Remove the seal out the pedestal window and remove the jacking screws.



12.) To re-install the seal refer to "QSG-150 – Flow Bottom Entry Seal Installation". Start at step 1 and follow the procedure for the "Registered Pedestal to Tank" variation.

CAUTION

DISCONNECT MIXER FROM POWER SOURCE BEFORE ASSEMBLING, LIFTING, MOVING, OR SERVICING MIXER.

CAUTION:

- THE VISCOSITY AND SPECIFIC GRAVITY OF THE FLUID AFFECTS MIXER SIZING AND SPECIFICATIONS
- HANDLE SEAL WITH CARE, DO NOT SET SEAL DOWN ON THE SEAL'S NON-METALLIC SURFACES