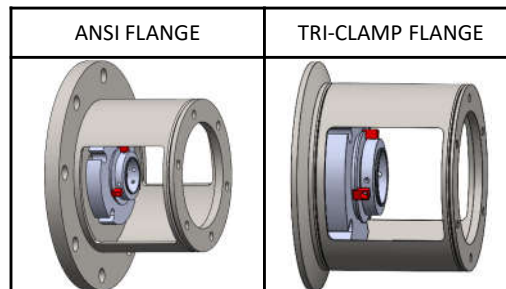


# QUICK START GUIDE (QSG)

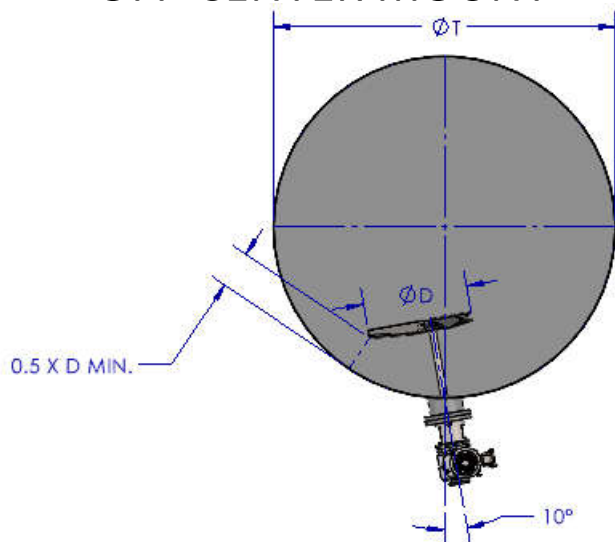
SERIES: SIDE ENTRY

## FLANGE MOUNT INSTRUCTIONS

MIXERS ARE NOT SUPPLIED WITH MOUNTING HARDWARE OR GASKETS.



### OFF-CENTER MOUNT



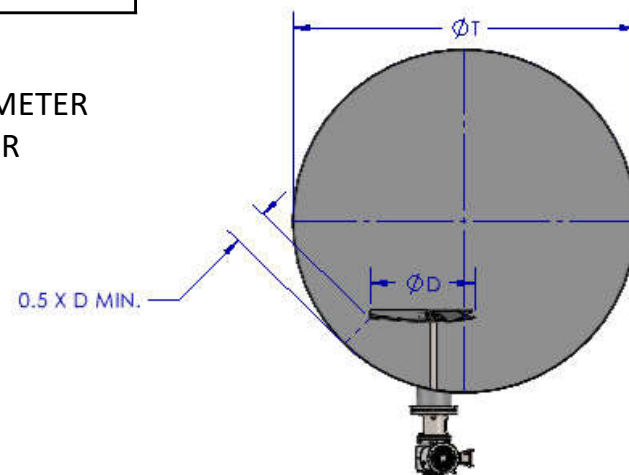
MOUNTING FLANGE BOLT HOLES STRADDLE CENTER LINE

0.5 X D + 4"

CAUTION:

- THE VISCOSITY AND SPECIFIC GRAVITY OF THE FLUID AFFECTS MIXER SIZING AND SPECIFICATIONS

### ANGLED MOUNT



MOUNTING FLANGE BOLT HOLES STRADDLE CENTER LINE

0.5 X D + 4"

T X 0.09

**CAUTION**

DISCONNECT MIXER FROM POWER SOURCE BEFORE ASSEMBLING, LIFTING, MOVING, OR SERVICING MIXER.