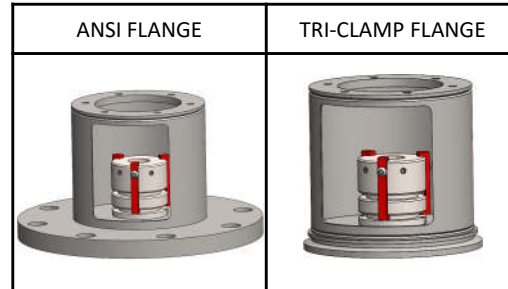


# QUICK START GUIDE (QSG)

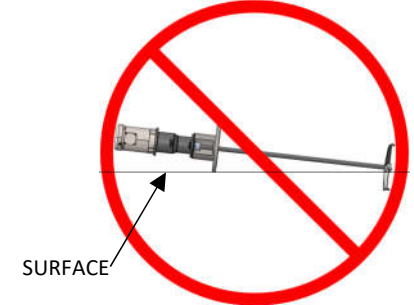
SERIES: ALL TOP ENTRY

## FLANGE MOUNT INSTRUCTIONS

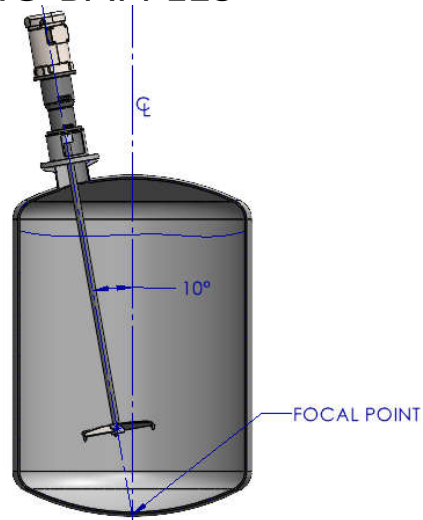


PHONE: 877.812.7573  
E-MAIL: INFO@FUSIONFLUID.COM  
WEBSITE: FUSIONFLUID.COM

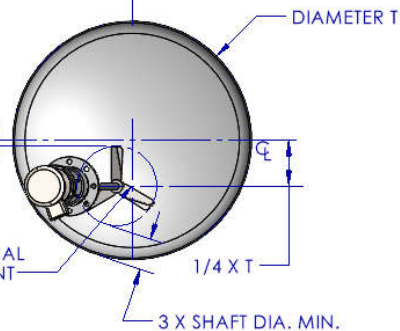
DO NOT LAY MIXER ON SHAFT



### ANGLE MOUNT, NO BAFFLES



CENTERLINE OF MIXER SHAFT SHOULD ALIGN WITH FOCAL POINT AT 1/4 TANK DIAMETER AS SHOWN



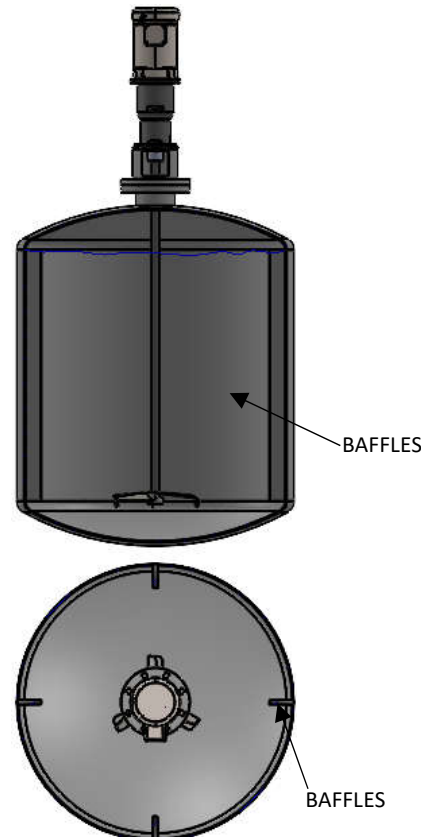
IMPELLER SWEEP SHOULD NOT CROSS CENTERLINE OF TANK

FOCAL POINT

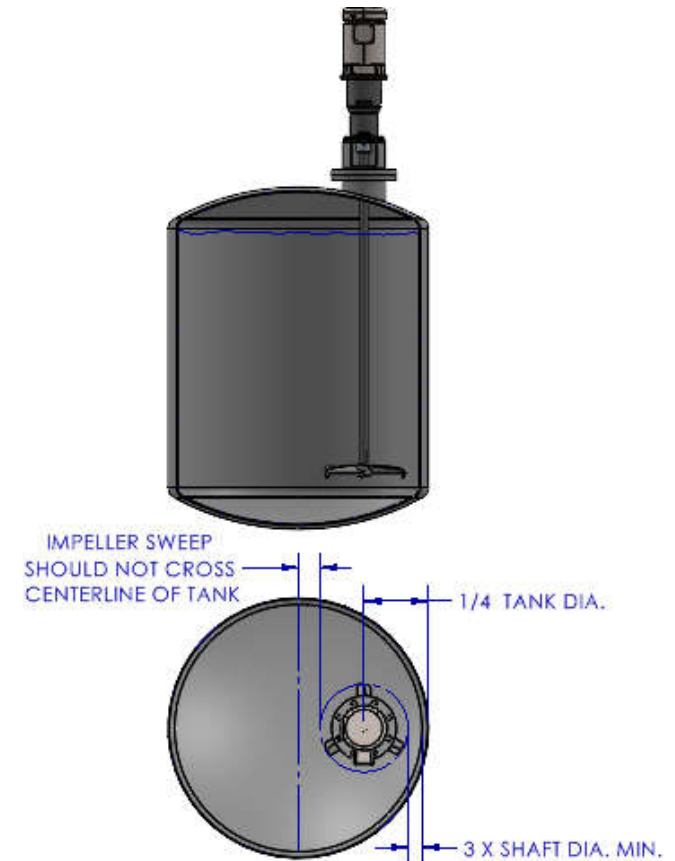
CAUTION:

- THE VISCOSITY AND SPECIFIC GRAVITY OF THE FLUID AFFECTS MIXER SIZING AND SPECIFICATIONS

### CENTER MOUNT, WITH BAFFLES



### OFF-CENTER MOUNT, WITHOUT BAFFLES



**CAUTION**  
DISCONNECT MIXER FROM POWER SOURCE BEFORE ASSEMBLING, LIFTING, MOVING, OR SERVICING MIXER.