

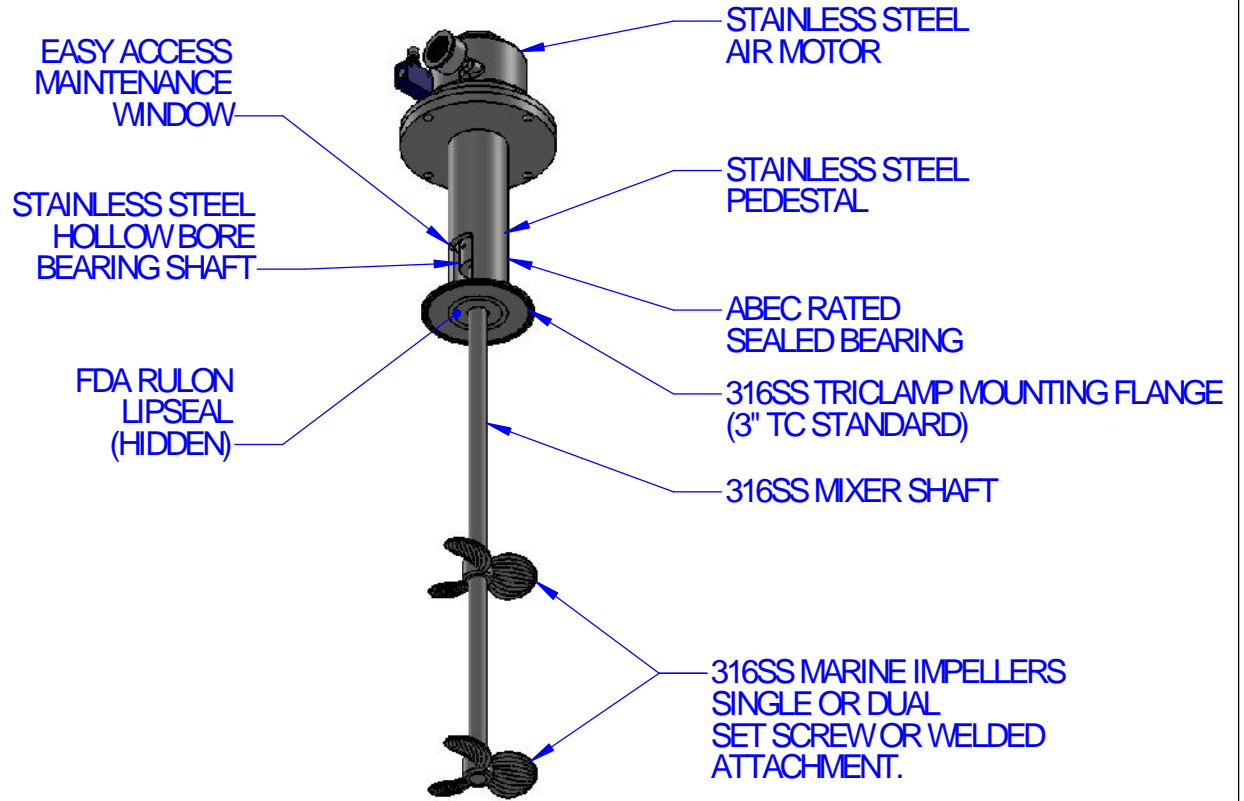
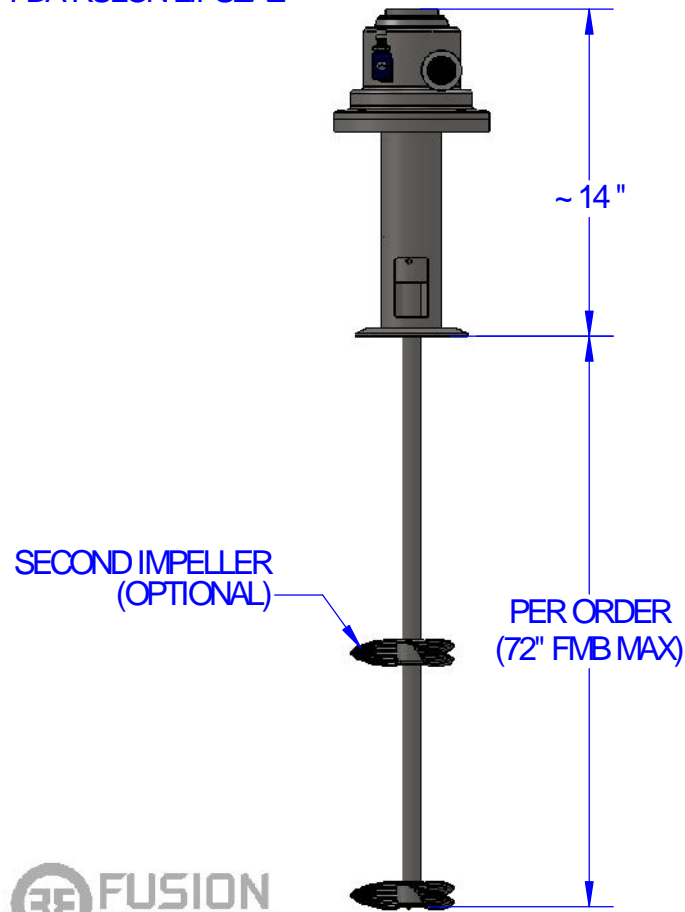
STANDARD FEATURES:

WASHDOWN DUTY, STAINLESS STEEL, AIR MOTOR,
 1750 RPM NOMINAL
 STAINLESS STEEL TRICLAMP PEDESTAL WITH ACCESS WINDOW
 316SS WETTED PARTS - MILL/CAST FINISH
 3/4" MIXER SHAFT - LENGTH TO FIT (UP TO 72" MAX)
 SINGLE OR DUAL MARINE IMPELLERS
 WITH SET SCREW OR WELDED ATTACHMENT
 FDA RULON LIPSEAL







OPTIONAL FEATURES:

PNEUMATIC CONTROLS
 NEEDLE VALVE
 FILTER, REGULATOR, LUBRICATOR (FRL)
 VITON OR EPDM LIPSEAL
 MECHANICAL SEAL (MODEL# PHD-FM)
 SANITARY FINISHES
 ALTERNATE IMPELLER SIZES AND TYPES
 (SANITARY BIO PROP RECOMMENDED)
 ALTERNATE TC SIZES



EST WT: 45-67 LBS (DEPENDING ON HPP AND OPTIONS)

TYPICAL IMPELLER OPTIONS

 MARINE PROP	 PF3 HYDROFOIL	 BIO PROP	 FLOODING IMPELLER
--	--	---	---

UNLESS OTHERWISE SPECIFIED: DIMENSIONS ARE IN INCHES TOLERANCES: FRACTIONAL: ± 1/16" ANGULAR: ± 2 DEG ONE PLACE DECIMAL: ± .060" TWO PLACE DECIMAL: ± .010" THREE PLACE DECIMAL: ± .005" DO NOT SCALE DRAWING	<table border="1"> <tr> <td>DRAWN</td> <td>JDF</td> <td>7/29/15</td> </tr> <tr> <td>CHECKED</td> <td>TS</td> <td>7/29/15</td> </tr> </table> PROPRIETARY AND CONFIDENTIAL	DRAWN	JDF	7/29/15	CHECKED	TS	7/29/15	
DRAWN	JDF	7/29/15						
CHECKED	TS	7/29/15						
THE INFORMATION CONTAINED IN THIS DRAWING IS THE SOLE PROPERTY OF FUSION FLUID EQUIPMENT LLC. ANY REPRODUCTION IN PART OR AS A WHOLE WITHOUT THE WRITTEN PERMISSION OF FUSION FLUID EQUIPMENT LLC IS PROHIBITED.		TITLE: FUSION CIRRUS DIRECT DRIVE MIXER AIR SIZE DWG. NO. A SALES-PHDA-FL REV - SCALE: 1:12 WEIGHT: SHEET 2 OF 2						