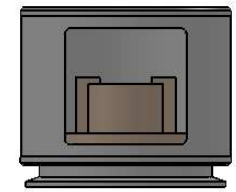
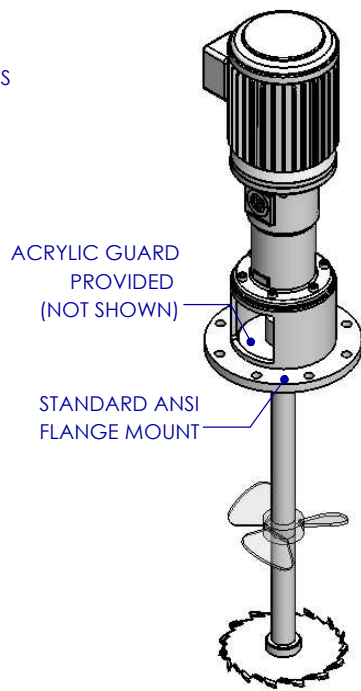
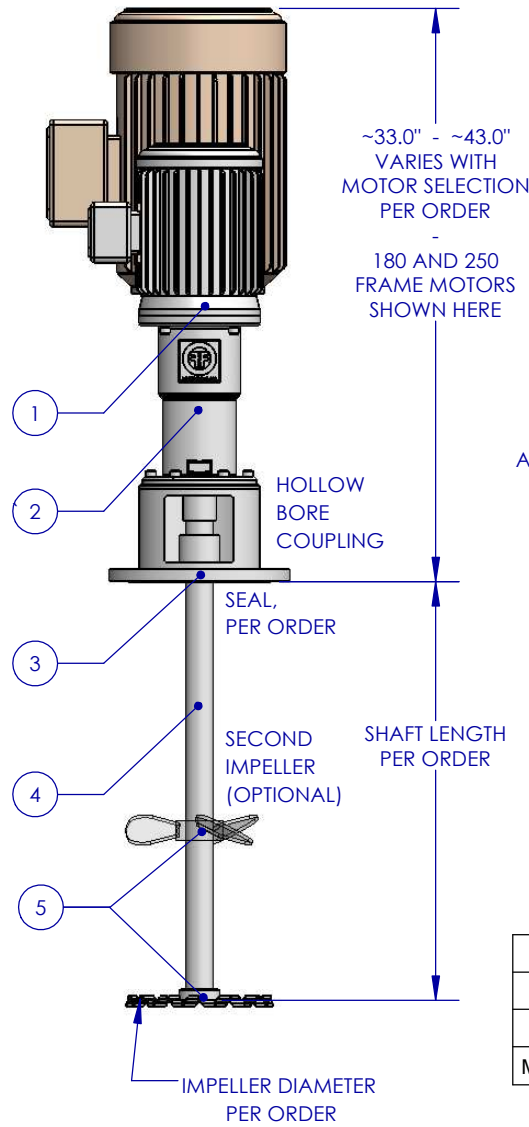


ITEM	DESCRIPTION
1	MOTOR - INDUSTRIAL DUTY, HP PER ORDER, UP TO 20 HP, PAINTED FINISH
2	BEARING HOUSING - HOLLOW BORE COUPLING, STAINLESS STEEL
3	SEAL PEDESTAL WITH FLANGE MOUNT - PAINTED OR STAINLESS
4	SHAFT - VARIOUS TYPES, MATERIALS, ATTACHMENTS AND FINISHES
5	IMPELLERS - VARIOUS TYPES, MATERIALS, ATTACHMENTS AND FINISHES



OPTIONAL SANITARY FLANGE MOUNT

SPEED TABLE	
1750 RPM	STANDARD
3500 RPM	OPTIONAL
1150 RPM	OPTIONAL
870 RPM	OPTIONAL

SEAL OPTIONS	
LIP SEAL	SINGLE, DOUBLE, VITON, FDA RULON, AND MORE
STUFFING BOX	LOW PRESSURE (15 PSI) OR HIGH PRESSURE (150PSI)
MECHANICAL SEAL	SINGLE, DOUBLE, FLOWSERVE, CHESTERTON, ROPLAN, AND MORE

STANDARD FEATURES

- CAST STAINLESS HOUSING
- DUAL ABEC-RATED BEARINGS
- STAINLESS PLATE MOUNT
- STAINLESS ARBOR
- STAINLESS HARDWARE

AVAILABLE UPGRADES

- STAINLESS MOTOR
- SPECIAL ALLOYS
- SANITARY FINISHES
- SHAFT COATINGS
- THREADED SANITARY COUPLINGS
- RIGID COUPLINGS
- OTHER IMPELLERS
- DIGITAL TACHOMETER

WEIGHT

EST WT: 350 - 500+ LBS
VARIES WITH MOTOR SELECTION, IMPELLER SELECTION, AND SHAFT LENGTH

TYPICAL IMPELLER OPTIONS

MARINE PROP	PITCH BLADE TURBINE	PF3 HYDROFOIL	BIO PROP	RUSHTON	COWLES (SAWTOOTH)	PV3 HYDROFOIL	HIGH SHEAR

DRAWN	NAME	DATE
CHECKED	JM	
	TS	

DO NOT SCALE DRAWING
UNLESS OTHERWISE SPECIFIED: DIMENSIONS ARE IN INCHES
NO TOLERANCE IS IMPLIED

PROPRIETARY AND CONFIDENTIAL
THE INFORMATION CONTAINED IN THIS DRAWING IS THE SOLE PROPERTY OF FUSION FLUID EQUIPMENT LLC. ANY REPRODUCTION IN PART OR AS A WHOLE WITHOUT THE WRITTEN PERMISSION OF FUSION FLUID EQUIPMENT LLC IS PROHIBITED.

WHILE FUSION FLUID EQUIPMENT LLC STRIVES TO MAINTAIN THE INTEGRITY OF A DESIGN AS APPROVED, FUSION FLUID EQUIPMENT LLC RETAINS THE RIGHT TO MAKE MODIFICATIONS DURING THE MANUFACTURING PROCESS TO IMPROVE FIT, FORM, AND FUNCTION OF THE DESIGN WITHOUT CUSTOMER NOTIFICATION OR CONSENT.

TITLE:
FUSION PXD-F
DIRECT DRIVE - FLANGE MOUNT

DWG NO:
SALES-PXD-#F-#