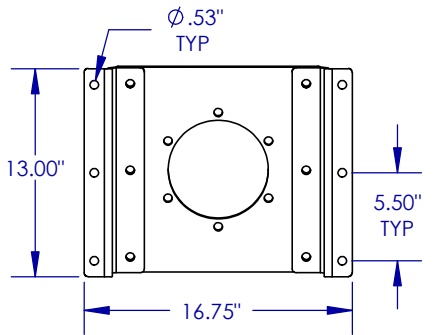
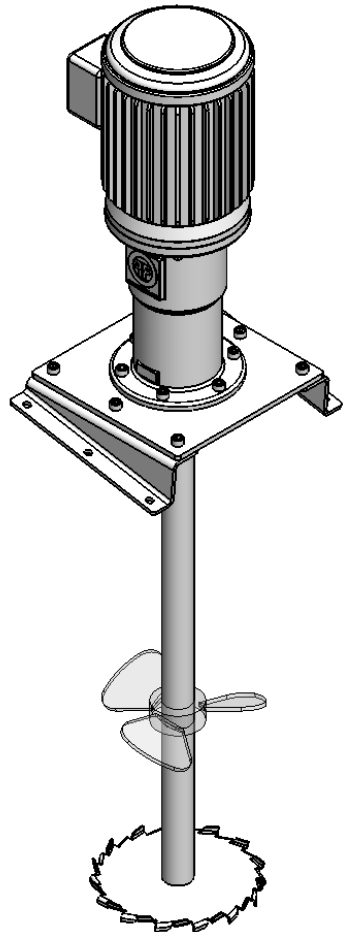
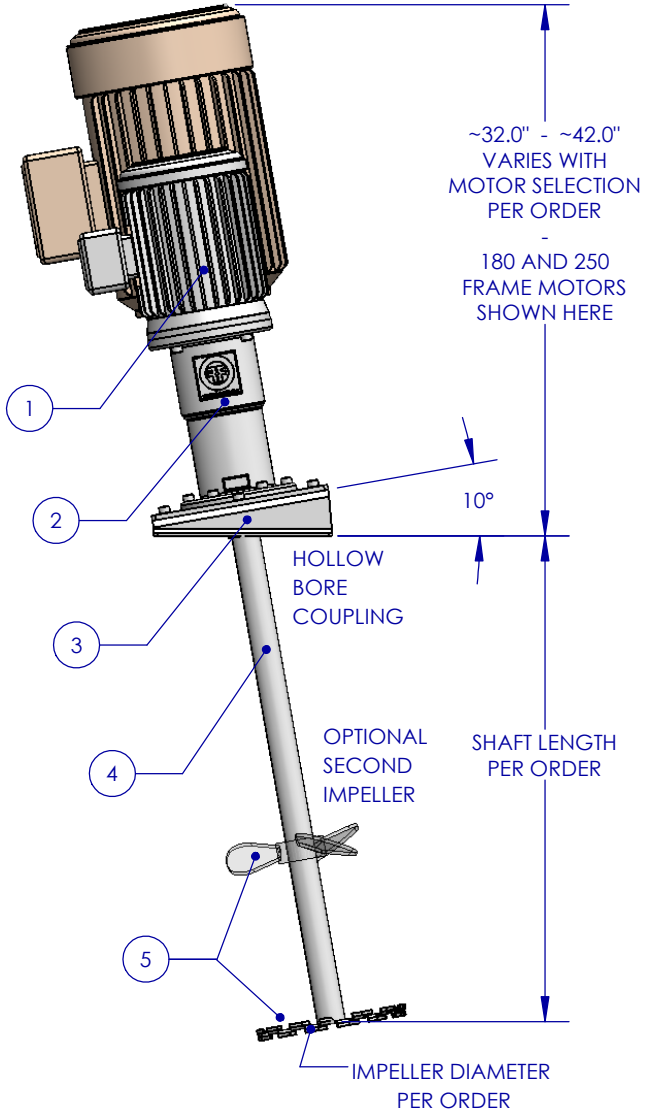


ITEM	DESCRIPTION
1	MOTOR - INDUSTRIAL DUTY, HP PER ORDER, UP TO 20 HP, PAINTED FINISH
2	BEARING HOUSING - HOLLOW BORE COUPLING, STAINLESS STEEL
3	MOUNT - PLATE WITH ANGLE RISERS, 10 DEG, STAINLESS STEEL
4	SHAFT - VARIOUS TYPES, MATERIALS, ATTACHMENTS AND FINISHES
5	IMPELLERS - VARIOUS TYPES, MATERIALS, ATTACHMENTS AND FINISHES



ANGLE RISER MOUNT DETAILS

SPEED TABLE	
1750 RPM	STANDARD
3500 RPM	OPTIONAL
1150 RPM	OPTIONAL
870 RPM	OPTIONAL

STANDARD FEATURES

- CAST STAINLESS HOUSING
- DUAL ABEC-RATED BEARINGS
- STAINLESS PLATE MOUNT
- STAINLESS ARBOR
- STAINLESS HARDWARE

AVAILABLE UPGRADES

- STAINLESS MOTOR
- SPECIAL ALLOYS
- SANITARY FINISHES
- SHAFT COATINGS
- THREADED SANITARY COUPLINGS
- RIGID COUPLNGS
- OTHER IMPELLERS
- DIGITAL TACHOMETER

WEIGHT

EST WT: 350 - 500+ LBS
VARIES WITH MOTOR SELECTION, IMPELLER SELECTION, AND SHAFT LENGTH

TYPICAL IMPELLER OPTIONS

MARINE PROP	PITCH BLADE TURBINE	PF3 HYDROFOIL	BIO PROP	RUSHTON	COWLES (SAWTOOTH)	PV3 HYDRPFOIL	HIGH SHEAR

DO NOT SCALE DRAWING
UNLESS OTHERWISE SPECIFIED, DIMENSIONS ARE IN INCHES.
NO TOLERANCE IS IMPLIED.
PROPRIETARY AND CONFIDENTIAL
THE INFORMATION CONTAINED IN THIS DRAWING IS THE SOLE PROPERTY OF FUSION FLUID EQUIPMENT LLC. ANY REPRODUCTION IN PART OR AS A WHOLE WITHOUT THE WRITTEN PERMISSION OF FUSION FLUID EQUIPMENT LLC IS PROHIBITED.
WHILE FUSION FLUID EQUIPMENT LLC STRIVES TO MAINTAIN THE INTEGRITY OF A DESIGN AS APPROVED, FUSION FLUID EQUIPMENT LLC RESERVES THE RIGHT TO MAKE MODIFICATIONS DURING THE MANUFACTURING PROCESS TO IMPROVE FIT, FORM, AND FUNCTION OF THE DESIGN WITHOUT CUSTOMER NOTIFICATION OR CONSENT.



TITLE: **FUSION PXD-A DIRECT DRIVE - ANGLE MOUNT**

DWG NO: **SALES-PXD-#A-#**