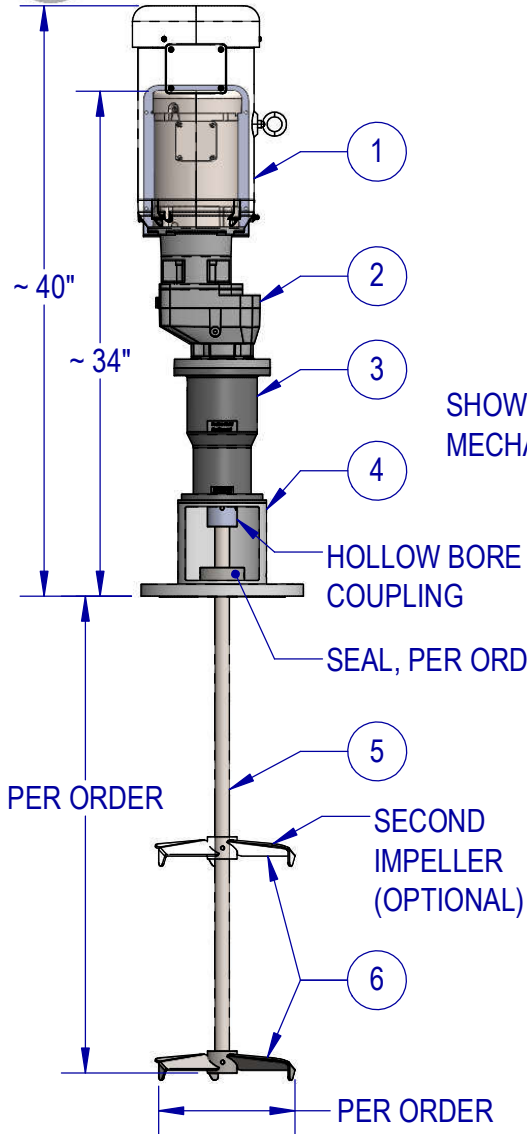




ITEM	QTY	DESCRIPTION
1	1	MOTOR - INDUSTRIAL DUTY, HP PER ORDER, PAINTED FINISH
2	1	GEARBOX - 350 RPM MAX, 5:1 REDUCTION, PAINTED FINISH
3	1	BEARING HOUSING - ALUMINUM, WITH HOLLOW BORE COUPLING, PAINTED FINISH
4	1	PEDESTAL - MOUNTING FLANGE AND SEAL GLAND PER ORDER
5	1	SHAFT - 316 STAINLESS STEEL SHAFT LENGTH AND DIAMETER PER ORDER
6	1+	IMPELLER - 316 STAINLESS STEEL PF3 HYDROFOIL IMPELLER, SIZE AND QTY PER ORDER

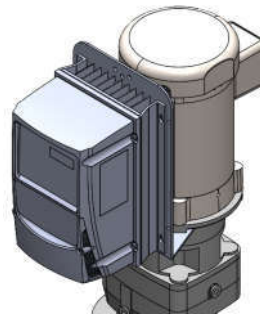


SHOWN WITH MECHANICAL SEAL

OPTIONAL TRICLAMP MOUNT

ACRYLIC GUARD PROVIDED (NOT SHOWN)

VFD MOUNT DETAIL



MAX. SPEED TABLE	
350 RPM	STANDARD
243 RPM	OPTIONAL
318 RPM	OPTIONAL
564 RPM	OPTIONAL
875 RPM	OPTIONAL

STANDARD FEATURES

- CAST ALUMINUM HOUSING
- DUAL ABEC-RATED BEARINGS
- STAINLESS MOUNTING FLANGE
- STAINLESS ARBOR
- STAINLESS FASTENERS
- ANSI CLASS 150# FLANGE
- DIGITAL SPEED CONTROL (VFD)

AVAILABLE UPGRADES

- ALL STAINLESS MIXER W/CAST STAINLESS HOUSING
- SPECIAL ALLOYS
- SANITARY FINISHES
- SHAFT COATINGS
- THREADED SANITARY COUPLINGS
- RIGID COUPLINGS
- VARIOUS IMPELLER SIZES, STYLES, AND QTY
- DIGITAL TACHOMETER
- TRICLAMP MOUNT



SEAL OPTIONS

LIP SEAL	SINGLE, DOUBLE, VITON, FDA RULON, & MORE
STUFFING BOX	LOW PRESSURE (15 PSI) OR HIGH PRESSURE (150 PSI)
MECHANICAL SEAL	SINGLE OR DOUBLE, FLOWSERVE, CHESTERTON, ROPLAN, & MORE

EST WT: 124-150 LBS (DEPENDING ON HP AND OPTIONS)

TYPICAL IMPELLER OPTIONS

PF3 HYDROFOIL	MARINE PROP	PBT - PITCH BLADE TURBINE	BIOPROP	PV3 HYDROFOIL	RUSHTON	FOLDING PROP

	NAME	DATE
DRAWN	SB	5/02/22
CHECKED	MB	5/11/22

PROPRIETARY AND CONFIDENTIAL

THE INFORMATION CONTAINED IN THIS DRAWING IS THE SOLE PROPERTY OF FUSION FLUID EQUIPMENT LLC. ANY REPRODUCTION IN PART OR AS A WHOLE WITHOUT THE WRITTEN PERMISSION OF FUSION FLUID EQUIPMENT LLC IS PROHIBITED.

UNLESS OTHERWISE SPECIFIED:
DIMENSIONS ARE IN INCHES.
NO TOLERANCE IS IMPLIED.
DO NOT SCALE DRAWING

WHILE FUSION FLUID EQUIPMENT LLC STRIVES TO MAINTAIN THE INTEGRITY OF A DESIGN AS APPROVED, FUSION FLUID EQUIPMENT LLC RETAINS THE RIGHT TO MAKE MODIFICATIONS DURING THE MANUFACTURING PROCESS TO IMPROVE FIT, FORM, AND FUNCTION OF THE DESIGN WITHOUT CUSTOMER NOTIFICATION OR CONSENT.



TITLE: FUSION PRO PG-F CLOSED TANK MIXER GEAR DRIVE ELECTRIC WITH VFD		
SIZE: A	DWG. NO. SALES-PG-F-#-V#	REV: B
SCALE: 1:13	WEIGHT:	SHEET 1 OF 1