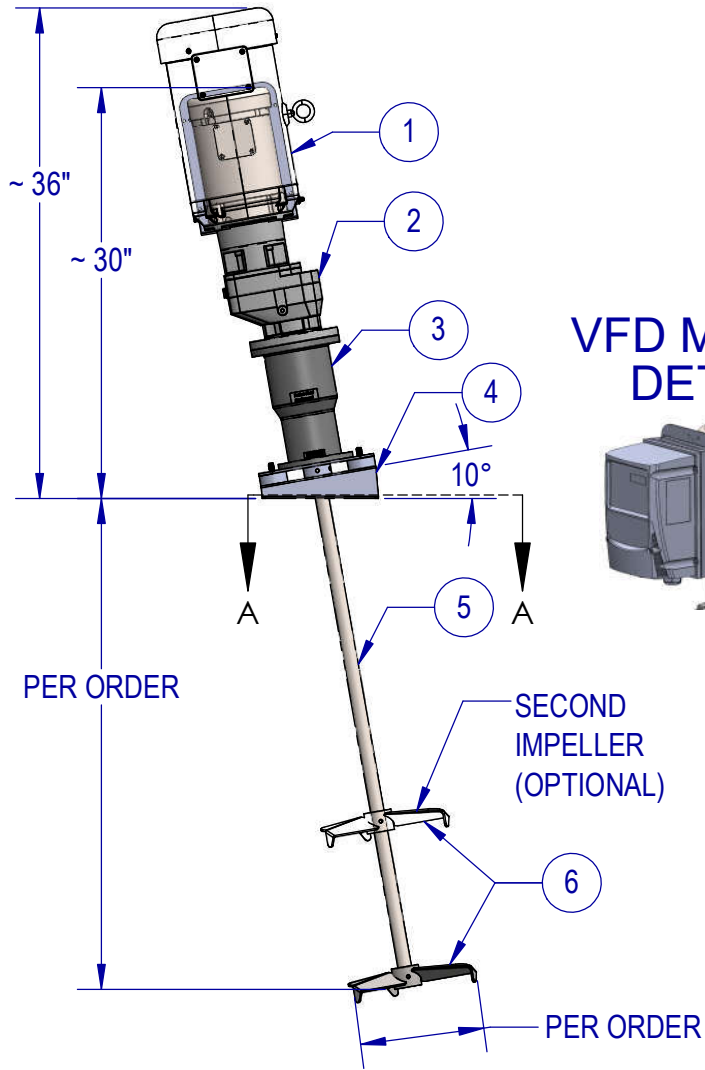
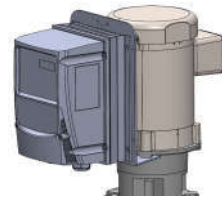


ITEM	QTY	DESCRIPTION
1	1	MOTOR - INDUSTRIAL DUTY, HP PER ORDER, PAINTED FINISH
2	1	GEARBOX - 350 RPM MAX, 5:1 REDUCTION, PAINTED FINISH
3	1	BEARING HOUSING - ALUMINUM, WITH HOLLOW BORE COUPLING, PAINTED FINISH
4	1	ANGLE RISER MOUNT ASSEMBLY W/ STAINLESS PLATE AND ISOLATION MOUNTS
5	1	SHAFT - 316 STAINLESS STEEL SHAFT LENGTH AND DIAMETER PER ORDER
6	1+	IMPELLER - 316 STAINLESS STEEL PF3 HYDROFOIL IMPELLER, SIZE AND QTY PER ORDER

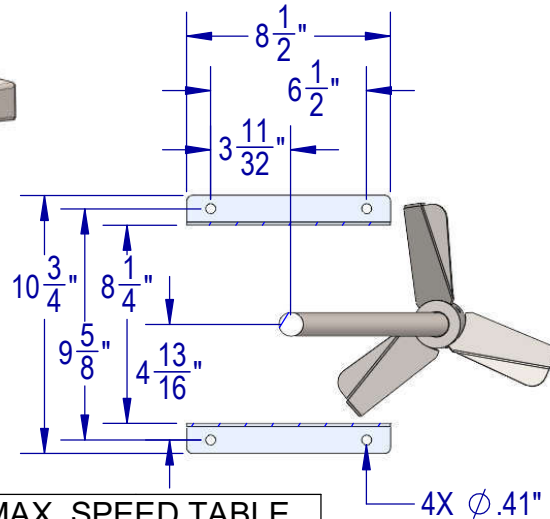


VFD MOUNT DETAIL



ANGLE RISER DETAIL

SECTION A-A
SCALE 1 : 8



MAX. SPEED TABLE	
350 RPM	STANDARD
243 RPM	OPTIONAL
318 RPM	OPTIONAL
564 RPM	OPTIONAL
875 RPM	OPTIONAL

STANDARD FEATURES


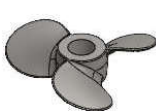
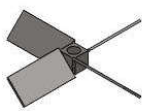
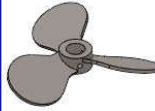
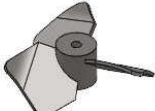

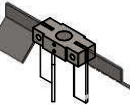
- CAST ALUMINUM HOUSING
- DUAL ABEC-RATED BEARINGS
- STAINLESS PLATE MOUNT
- STAINLESS ANGLE RISERS
- STAINLESS ARBOR
- STAINLESS FASTENERS
- DIGITAL SPEED CONTROL (VFD)

AVAILABLE UPGRADES

- ALL STAINLESS MIXER W/CAST STAINLESS HOUSING
- SPECIAL ALLOYS
- SANITARY FINISHES
- SHAFT COATINGS
- THREADED SANITARY COUPLINGS
- RIGID COUPLINGS
- VARIOUS IMPELLER SIZES, STYLES, AND QTY
- DIGITAL TACHOMETER

EST WT: 100-125 LBS (DEPENDING ON HP AND OPTIONS)

TYPICAL IMPELLER OPTIONS

PF3 HYDROFOIL	MARINE PROP	PBT - PITCH BLADE TURBINE	BIOPROP	PV3 HYDROFOIL	RUSHTON	FOLDING PROP
						

	NAME	DATE
DRAWN	SB	5/02/22
CHECKED	MB	5/11/22

PROPRIETARY AND CONFIDENTIAL

THE INFORMATION CONTAINED IN THIS DRAWING IS THE SOLE PROPERTY OF FUSION FLUID EQUIPMENT LLC. ANY REPRODUCTION IN PART OR AS A WHOLE WITHOUT THE WRITTEN PERMISSION OF FUSION FLUID EQUIPMENT LLC IS PROHIBITED.

UNLESS OTHERWISE SPECIFIED:
DIMENSIONS ARE IN INCHES.
NO TOLERANCE IS IMPLIED.
DO NOT SCALE DRAWING

WHILE FUSION FLUID EQUIPMENT LLC STRIVES TO MAINTAIN THE INTEGRITY OF A DESIGN AS APPROVED, FUSION FLUID EQUIPMENT LLC RETAINS THE RIGHT TO MAKE MODIFICATIONS DURING THE MANUFACTURING PROCESS TO IMPROVE FIT, FORM, AND FUNCTION OF THE DESIGN WITHOUT CUSTOMER NOTIFICATION OR CONSENT.

FUSION FLUID EQUIPMENT		
TITLE: FUSION PRO PG-A ANGLE RISER MOUNT MIXER GEAR DRIVE ELECTRIC WITH VFD		
SIZE: A	DWG. NO. SALES-PG-#A-#-V#	REV B
SCALE: 1:14	WEIGHT:	SHEET 1 OF 1