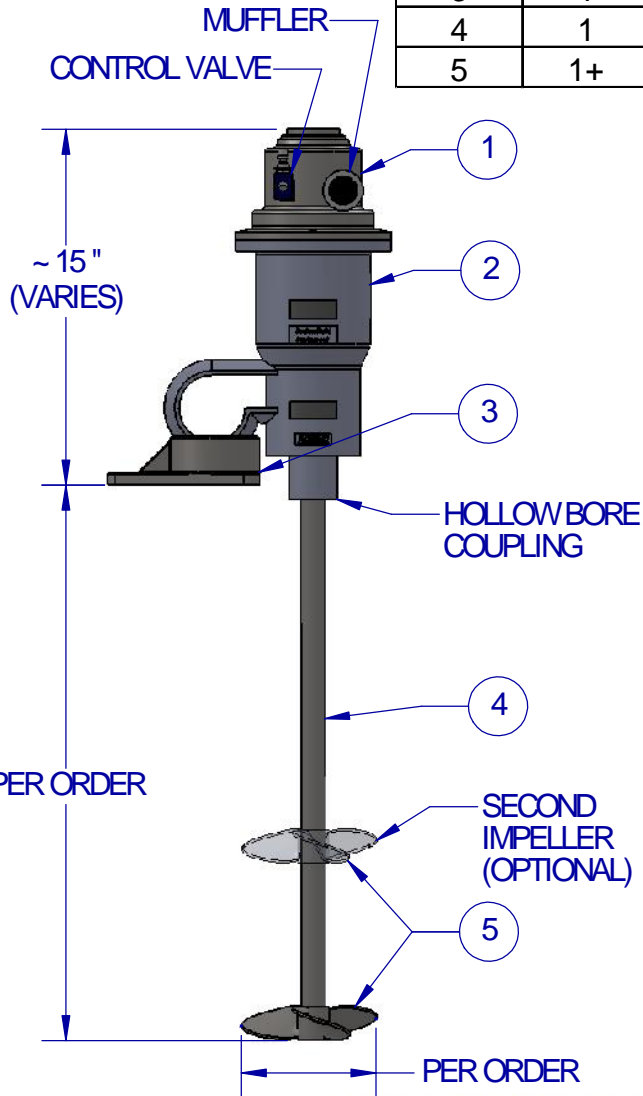
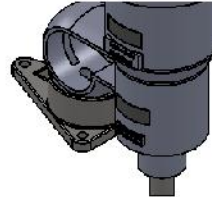




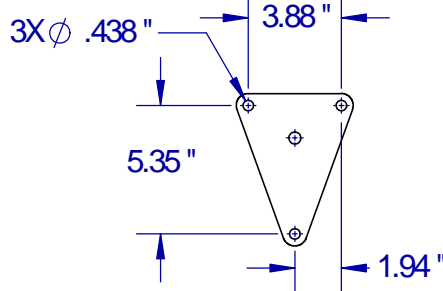
ITEM	QTY	DESCRIPTION
1	1	MOTOR - 1750 RPM, INDUSTRIAL DUTY, HP PER ORDER, PAINTED FINISH
2	1	BEARING HOUSING - ALUMINUM, WITH HOLLOW BORE COUPLING, PAINTED FINISH
3	1	STAINLESS CUP PLATE MOUNT - BALL AND SOCKET TYPE
4	1	316 STAINLESS STEEL SHAFT PER ORDER
5	1+	316 STAINLESS STEEL MARINE-TYPE IMPELLER, SIZE AND QTY PER ORDER



BALL & SOCKET DETAIL



CUP PLATE MOUNTING DETAIL



AIR CONSUMPTION	
1 HP	40 CFM @ 80 PSI
2 HP	60 CFM @ 70 PSI
3 HP	90 CFM @ 100 PSI



STANDARD FEATURES

- CAST ALUMINUM HOUSING
- DUAL ABEC-RATED BEARINGS
- STAINLESS CUP PLATE MOUNT
- STAINLESS ARBOR
- STAINLESS FASTENERS

AVAILABLE UPGRADES

- ALL STAINLESS MIXER W/CAST STAINLESS HOUSING
- SPECIAL ALLOYS
- SANITARY FINISHES
- SHAFT COATINGS
- THREADED SANITARY COUPLINGS
- RIGID COUPLINGS
- VARIOUS IMPELLER SIZES, STYLES, AND QTY
- DIGITAL TACHOMETER
- PNEUMATIC CONTROLS
- FILTER/REGULATOR/LUBRICATOR (FRL)

NOTE: ALL STAINLESS UPGRADE INCLUDES STAINLESS MOTOR, STAINLESS HARDWARE, STAINLESS BEARING HOUSING (WITH VITON O-RING UPPER SEAL AND VITON LIP SEAL LOWER SEAL)

EST WT. 50-65LBS (DEPENDING ON HP AND OPTIONS)

TYPICAL IMPELLER OPTIONS

MAR NE PROP	PBT-PITCH BLADE TURBINE	PF3 HYDROFIL	BIOPROP	RUSHTON	COWLES (SAW TOOTH)	FOLDING PROP

	NAME	DATE
DRAWN	JDF	12/4/13
CHECKED	PIC	12/4/13

PROPRIETARY AND CONFIDENTIAL

THE INFORMATION CONTAINED IN THIS DRAWING IS THE SOLE PROPERTY OF FUSION FLUID EQUIPMENT LLC. ANY REPRODUCTION IN PART OR AS A WHOLE WITHOUT THE WRITTEN PERMISSION OF FUSION FLUID EQUIPMENT LLC IS PROHIBITED.

WHILE FUSION FLUID EQUIPMENT LLC STRIVES TO MAINTAIN THE INTEGRITY OF A DESIGN AS APPROVED, FUSION FLUID EQUIPMENT LLC RETAINS THE RIGHT TO MAKE MODIFICATIONS DURING THE MANUFACTURING PROCESS TO IMPROVE FIT, FORM, AND FUNCTION OF THE DESIGN WITHOUT CUSTOMER NOTIFICATION OR CONSENT.

UNLESS OTHERWISE SPECIFIED: DIMENSIONS ARE IN INCHES. NO TOLERANCE IS IMPLIED. DO NOT SCALE DRAWING



TITLE:		
FUSION PRO PDA-U CUP PLATE MOUNT MIXER DIRECT DRIVE AIR		
SIZE	DWG. NO.	REV
A	SALES-PDA-#U	A
SCALE: 1:12		WEIGHT:
		SHEET 1 OF 1