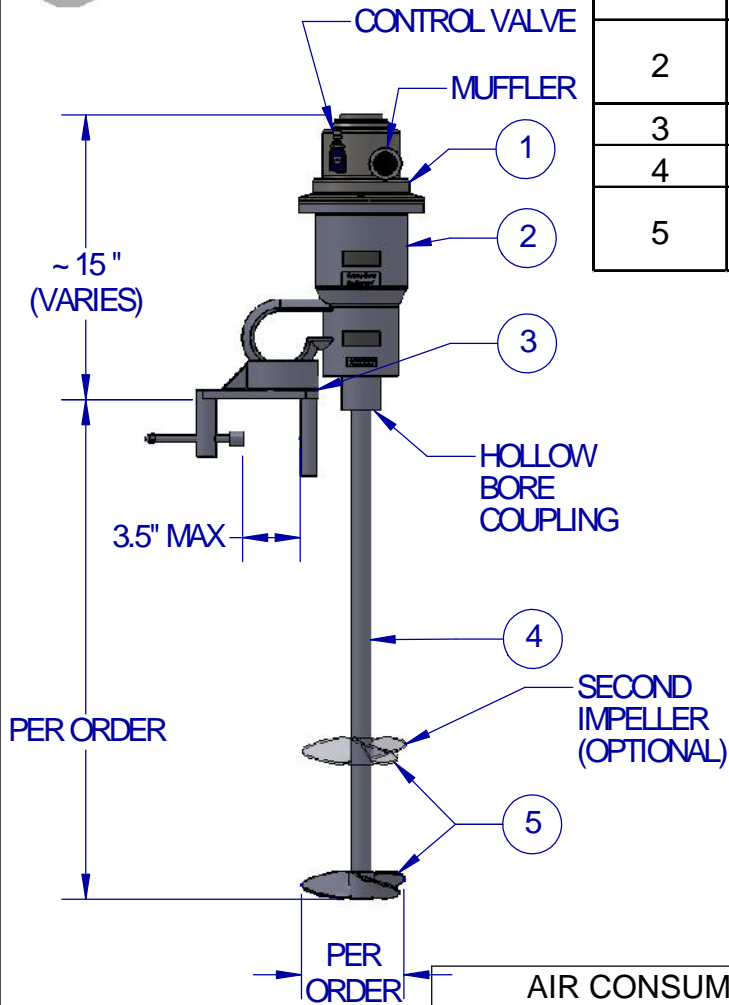
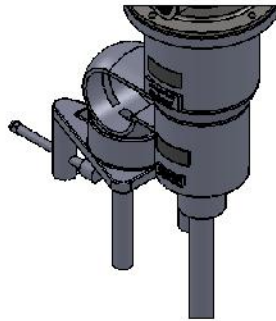




ITEM	QTY	DESCRIPTION
1	1	MOTOR - 1750 RPM, INDUSTRIAL DUTY, HP PER ORDER, PAINTED FINISH
2	1	BEARING HOUSING - ALUMINUM, WITH HOLLOW BORE COUPLING, PAINTED FINISH
3	1	STAINLESS CLAMP MOUNT - BALL AND SOCKET TYPE
4	1	316 STAINLESS STEEL SHAFT PER ORDER
5	1+	316 STAINLESS STEEL MARINE-TYPE IMPELLER, SIZE AND QTY PER ORDER



CLAMP MOUNT DETAIL



STANDARD FEATURES

- CAST ALUMINUM HOUSING
- DUAL ABEC-RATED BEARINGS
- STAINLESS STEEL CLAMP
- STAINLESS STEEL ARBOR
- STAINLESS STEEL FASTENERS

AVAILABLE UPGRADES

- ALL STAINLESS STEEL MIXER W/CAST STAINLESS STEEL HOUSING
- SPECIAL ALLOYS
- SANITARY FINISHES
- SHAFT COATINGS
- THREADED SANITARY COUPLINGS
- RIGID COUPLINGS
- VARIOUS IMPELLERS SIZES, STYLES, AND QTY
- DIGITAL TACHOMETER
- PNEUMATIC CONTROLS
- FILTER/REGULATOR/LUBRICATOR (FRL)

AIR CONSUMPTION	
1 HP	40 CFM @ 80 PSI
2 HP	60 CFM @ 70 PSI
3 HP	90 CFM @ 100 PSI

NOTE: ALL STAINLESS UPGRADE INCLUDES STAINLESS STEEL MOTOR, STAINLESS STEEL HARDWARE, STAINLESS STEEL BEARING HOUSING (WITH VITON O-RING UPPER SEAL AND VITON LIP SEAL LOWER SEAL)

EST WT. 53-69 LBS (DEPENDING ON HP AND OPTIONS)



TYPICAL IMPELLER OPTIONS

MARINE PROP	PBT - PITCH BLADE TURBINE	PF3 HYDROFOIL	BIOPROP	RUSHTON	COWLES (SAWTOOTH)	FOLDING PROP

	NAME	DATE
DRAWN	JDF	12/3/13
CHECKED	TS	12/3/13

PROPRIETARY AND CONFIDENTIAL
 THE INFORMATION CONTAINED IN THIS DRAWING IS THE SOLE PROPERTY OF FUSION FLUID EQUIPMENT LLC. ANY REPRODUCTION IN PART OR AS A WHOLE WITHOUT THE WRITTEN PERMISSION OF FUSION FLUID EQUIPMENT LLC IS PROHIBITED.

UNLESS OTHERWISE SPECIFIED:
 DIMENSIONS ARE IN INCHES.
 NO TOLERANCE IS IMPLIED.
 DO NOT SCALE DRAWING



TITLE: FUSION PRO PDA-C CLAMP MOUNT MIXER DIRECT DRIVE AIR		
SIZE: A	DWG. NO. SALES-PDA-#C-#	REV: A
SCALE: 1:16	WEIGHT:	SHEET 1 OF 1