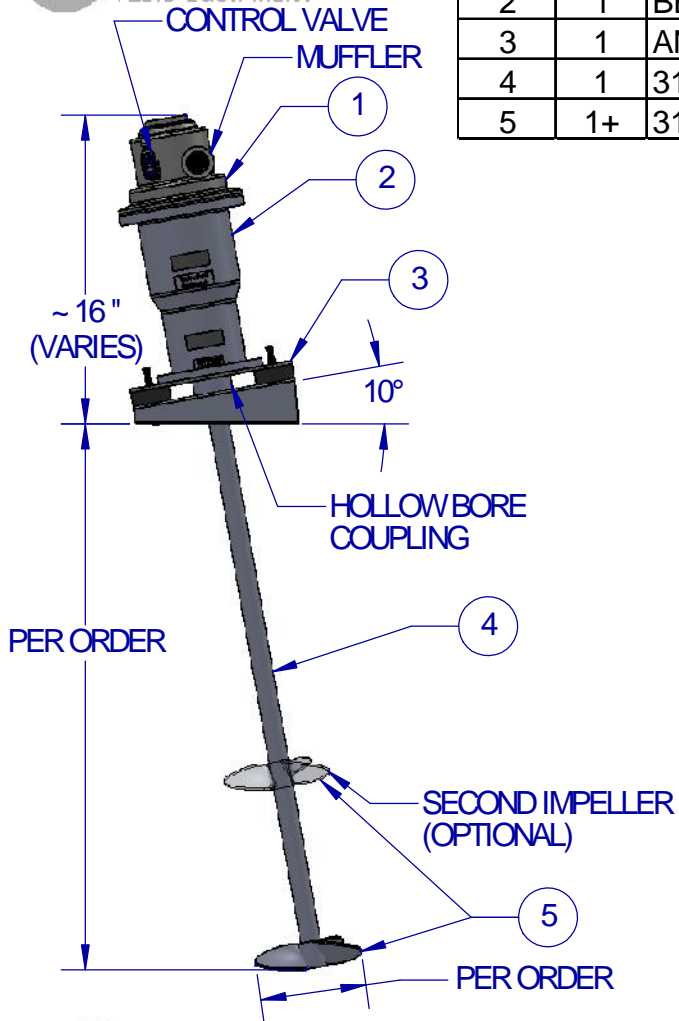
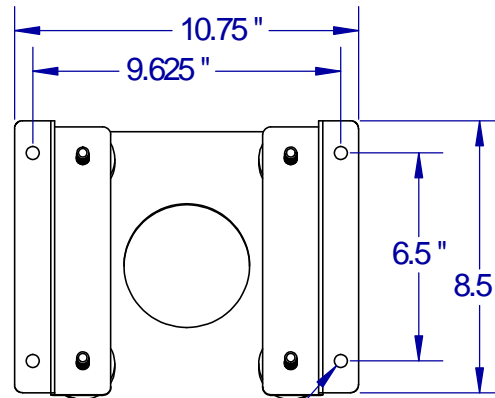




ITEM	QTY	DESCRIPTION
1	1	MOTOR - 1750 RPM, INDUSTRIAL DUTY, HP PER ORDER, PAINTED FINISH
2	1	BEARING HOUSING - ALUMINUM, WITH HOLLOW BORE COUPLING, PAINTED FINISH
3	1	ANGLE RISER MOUNT ASSEMBLY W/ STAINLESS PLATE AND ISOLATION MOUNTS
4	1	316 STAINLESS STEEL SHAFT PER ORDER
5	1+	316 STAINLESS STEEL MARINE-TYPE IMPELLER, SIZE AND QTY PER ORDER



ANGLE RISER DETAIL



AIR CONSUMPTION	
1 HP	40 CFM @ 80 PSI
2 HP	60 CFM @ 70 PSI
3 HP	90 CFM @ 100 PSI

STANDARD FEATURES

- CAST ALUMINUM HOUSING
- DUAL ABEC-RATED BEARINGS
- STAINLESS PLATE MOUNT
- STAINLESS ANGLE RISERS
- STAINLESS ARBOR
- STAINLESS FASTENERS

AVAILABLE UPGRADES


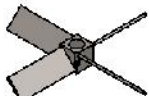
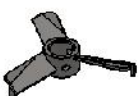




- ALL STAINLESS MIXER W/CAST STAINLESS HOUSING
- SPECIAL ALLOYS
- SANITARY FINISHES
- SHAFT COATINGS
- THREADED SANITARY COUPLINGS
- RIGID COUPLINGS
- VARIOUS IMPELLER SIZES, STYLES, AND QTY
- DIGITAL TACHOMETER
- PNEUMATIC CONTROLS
- FILTER/REGULATOR/ AND LUBRICATOR (FRL)

NOTE: ALL STAINLESS STEEL UPGRADE INCLUDES STAINLESS MOTOR, STAINLESS HARDWARE, STAINLESS BEARING HOUSING (WITH VITON O-RING UPPER SEAL AND VITON LIP SEAL LOWER SEAL)

EST WT. 52-67 LBS (DEPENDING ON HP AND OPTIONS)



TYPICAL IMPELLER OPTIONS

 MARINE PROP	 PBT-PITCH BLADE TURBINE	 PF3 HYDROFOIL	 BIOPROP	 RUSHTON	 COWLES (SAWTOOTH)	 FOLDING PROP
---	--	--	--	--	---	---

NAME	DATE
DRAWN JDF	3/26/14
CHECKED PIC	3/26/14
PROPRIETARY AND CONFIDENTIAL	
THE INFORMATION CONTAINED IN THIS DRAWING IS THE SOLE PROPERTY OF FUSION FLUID EQUIPMENT LLC. ANY REPRODUCTION IN PART OR AS A WHOLE WITHOUT THE WRITTEN PERMISSION OF FUSION FLUID EQUIPMENT LLC IS PROHIBITED.	
WHILE FUSION FLUID EQUIPMENT LLC STRIVES TO MAINTAIN THE INTEGRITY OF A DESIGN AS APPROVED, FUSION FLUID EQUIPMENT LLC RETAINS THE RIGHT TO MAKE MODIFICATIONS DURING THE MANUFACTURING PROCESS TO IMPROVE FIT, FORM, AND FUNCTION OF THE DESIGN WITHOUT CUSTOMER NOTIFICATION OR CONSENT.	
UNLESS OTHERWISE SPECIFIED: DIMENSIONS ARE IN INCHES. NO TOLERANCE IS IMPLIED. DO NOT SCALE DRAWING	

TITLE: FUSION PRO PDA-A ANGLE RISER MOUNT MIXER DIRECT DRIVE AIR		
SIZE	DWG. NO.	REV
A	SALES-PDA-#A-#	A
SCALE: 1:16	WEIGHT:	SHEET 1 OF 1