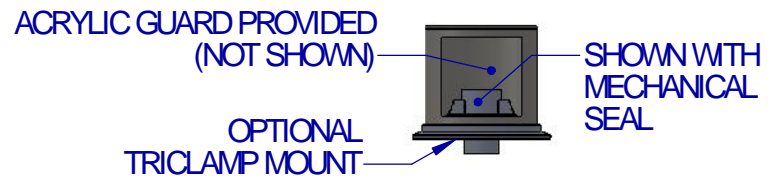
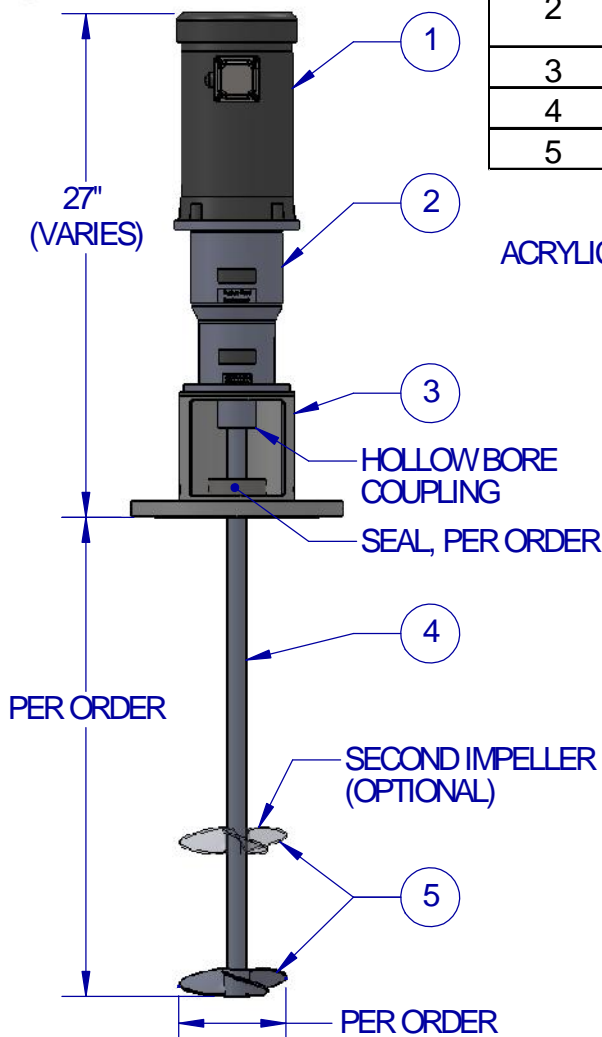




ITEM	QTY	DESCRIPTION
1	1	MOTOR - 1750 RPM, INDUSTRIAL DUTY, HP PER ORDER, PAINTED FINISH
2	1	BEARING HOUSING - ALUMINUM, WITH HOLLOW BORE COUPLING, PAINTED FINISH
3	1	MOUNTING/SEAL PEDESTAL WITH FLANGE
4	1	316 STAINLESS STEEL SHAFT PER ORDER
5	1+	316 STAINLESS STEEL MARINE-TYPE IMPELLER, SIZE AND QTY PER ORDER



SPEED TABLE	
1750 RPM	STANDARD
1150 RPM	OPTIONAL
3600 RPM	OPTIONAL

NOTE: ALL STAINLESS UPGRADE INCLUDES STAINLESS MOTOR, STAINLESS HARDWARE, STAINLESS BEARING HOUSING (WITH VITON O-RING UPPER SEAL AND VITON LIP SEAL LOWER SEAL)

- STANDARD FEATURES**
- CAST ALUMINUM HOUSING
 - DUAL ABEC-RATED BEARINGS
 - STAINLESS MOUNTING FLANGE
 - STAINLESS ARBOR
 - STAINLESS FASTENERS
 - ANSI CLASS 150# FLANGE

- AVAILABLE UPGRADES**
- ALL STAINLESS MIXER W/CAST STAINLESS HOUSING
 - SPECIAL ALLOYS
 - SANITARY FINISHES
 - SHAFT COATINGS
 - THREADED SANITARY COUPLINGS
 - RIGID COUPLINGS
 - VARIOUS IMPELLERS SIZES, STYLES, AND QTY
 - DIGITAL TACHOMETER
 - TRICLAMP MOUNT

SEAL OPTIONS	
LIP SEAL	SINGLE, DOUBLE, VITON, FDA RULON, & MORE
STUFFING BOX	LOW PRESSURE (15 PSI) OR HIGH PRESSURE (150 PSI)
MECHANICAL SEAL	SINGLE, DOUBLE, FLOWSERVE, CHESTERTON, ROPLAN, & MORE

EST WT. 86-107 LBS (DEPENDING ON HP AND OPTIONS)



TYPICAL IMPELLER OPTIONS

MARINE PROP	PBT - PITCH BLADE TURBINE	PF3 HYDROFOIL	BIOPROP	RUSHTON	COWLES (SAWTOOTH)	FOLDING PROP

UNLESS OTHERWISE SPECIFIED: DIMENSIONS ARE IN INCHES. NO TOLERANCE IS IMPLIED. DO NOT SCALE DRAWING

WHILE FUSION FLUID EQUIPMENT LLC STRIVES TO MAINTAIN THE INTEGRITY OF A DESIGN AS APPROVED, FUSION FLUID EQUIPMENT LLC RETAINS THE RIGHT TO MAKE MODIFICATIONS DURING THE MANUFACTURING PROCESS TO IMPROVE FIT, FORM, AND FUNCTION OF THE DESIGN WITHOUT CUSTOMER NOTIFICATION OR CONSENT.

TITLE: FUSION PRO PD-F CLOSED TANK MIXER DIRECT DRIVE ELECTRIC	
SIZE: A	DWG. NO.: SALES-PD-#FL
SCALE: 1:16	WEIGHT:
SHEET 1 OF 1	

NAME	DATE
JDF	3/26/14
PIC	3/26/14

PROPRIETARY AND CONFIDENTIAL