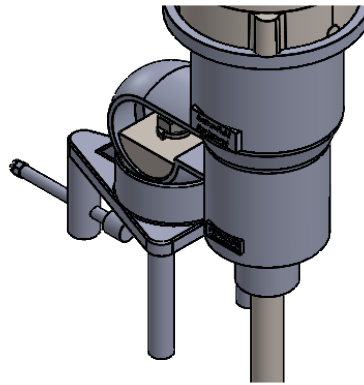


ITEM	QTY	DESCRIPTION
1	1	MOTOR - INDUSTRIAL DUTY, HP PER ORDER, PAINTED FINISH
2	1	BEARING HOUSING - ALUMINUM, WITH HOLLOW BORE COUPLING, PAINTED FINISH
3	1	STAINLESS CLAMP MOUNT - BALL AND SOCKET TYPE
4	1	SHAFT - 316 STAINLESS STEEL SHAFT LENGTH AND DIAMETER PER ORDER
5	1+	IMPELLER - 316 STAINLESS STEEL MARINE-TYPE IMPELLER, SIZE AND QTY PER ORDER

CLAMP MOUNT DETAIL



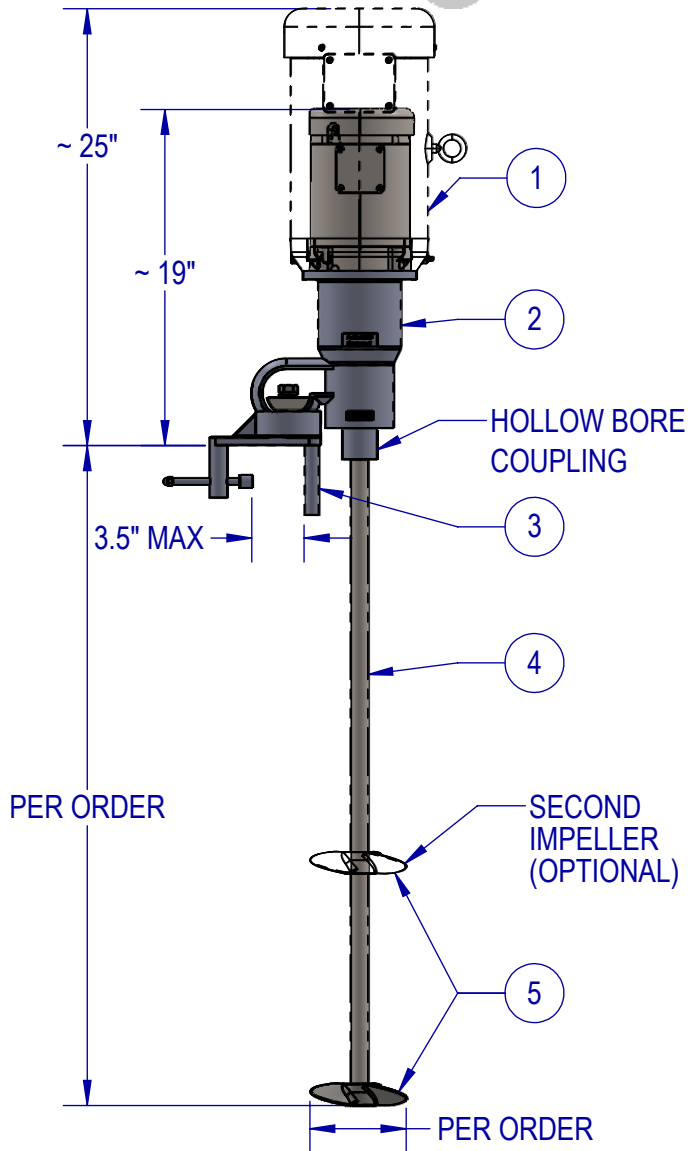
STANDARD FEATURES

- CAST ALUMINUM HOUSING
- DUAL ABEC-RATED BEARINGS
- STAINLESS CLAMP
- STAINLESS ARBOR
- STAINLESS FASTENERS

AVAILABLE UPGRADES

- ALL STAINLESS MIXER W/CAST STAINLESS HOUSING
- SPECIAL ALLOYS
- SANITARY FINISHES
- SHAFT COATINGS
- THREADED SANITARY COUPLINGS
- RIGID COUPLINGS
- VARIOUS IMPELLERS SIZES, STYLES, AND QTY
- DIGITAL TACHOMETER

SPEED TABLE	
1750 RPM	STANDARD
1150 RPM	OPTIONAL
3600 RPM	OPTIONAL



EST WT. 68-89 LBS (DEPENDING ON HP AND OPTIONS)

TYPICAL IMPELLER OPTIONS

MARINE PROP	PBT - PITCH BLADE TURBINE	PF3 HYDROFOIL	BIOPROP	RUSHTON	COWLES (SAWTOOTH)	FOLDING PROP

NAME	DATE
SB	7/18/22
CHECKED	MB
	8/22/22
PROPRIETARY AND CONFIDENTIAL	
THE INFORMATION CONTAINED IN THIS DRAWING IS THE SOLE PROPERTY OF FUSION FLUID EQUIPMENT LLC. ANY REPRODUCTION IN PART OR AS A WHOLE WITHOUT THE WRITTEN PERMISSION OF FUSION FLUID EQUIPMENT LLC IS PROHIBITED.	
UNLESS OTHERWISE SPECIFIED: DIMENSIONS ARE IN INCHES. NO TOLERANCES IMPLIED.	
DO NOT SCALE DRAWING	

TITLE: FUSION PRO PD-C CLAMP MOUNT MIXER DIRECT DRIVE ELECTRIC	
SIZE	DWG. NO.
A	SALES-PD-#C-#
SCALE: 1:10	WEIGHT:
REV	B
SHEET 1 OF 1	