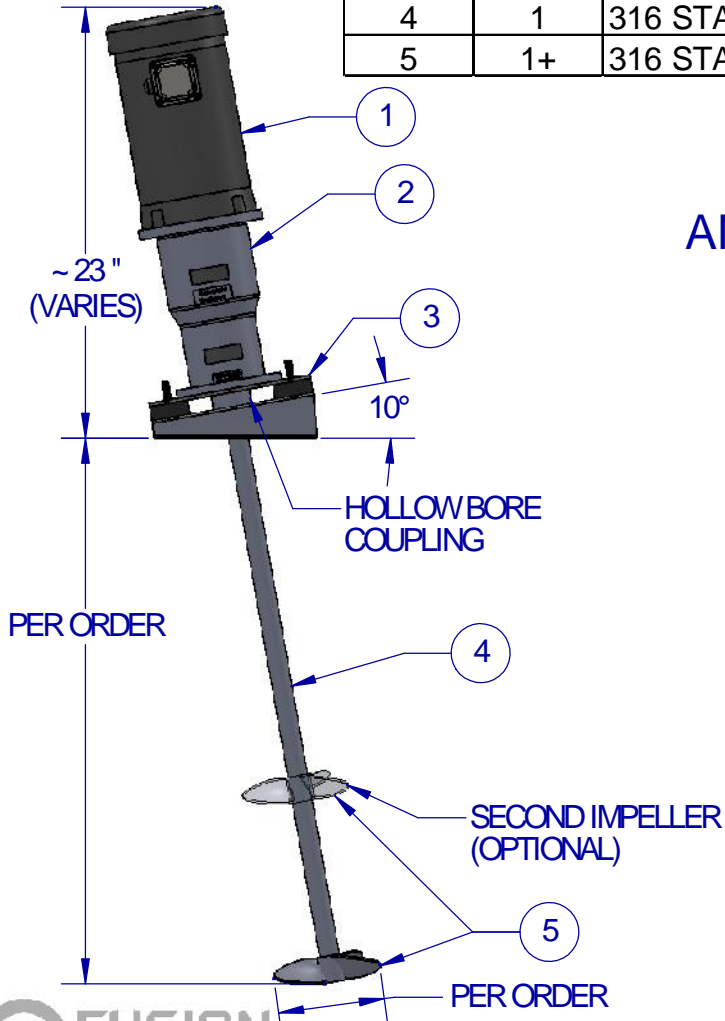
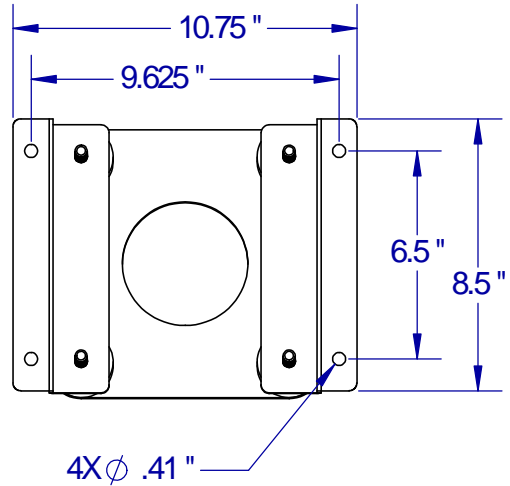




ITEM	QTY	DESCRIPTION
1	1	MOTOR - 1750 RPM, INDUSTRIAL DUTY, HP PER ORDER, PAINTED FINISH
2	1	BEARING HOUSING - ALUMINUM, WITH HOLLOW BORE COUPLING, PAINTED FINISH
3	1	ANGLE RISER MOUNT ASSEMBLY W/ STAINLESS PLATE AND ISOLATION MOUNTS
4	1	316 STAINLESS STEEL SHAFT PER ORDER
5	1+	316 STAINLESS STEEL MARINE-TYPE IMPELLER, SIZE AND QTY PER ORDER



### ANGLE RISER DETAIL



SPEED TABLE	
1750 RPM	STANDARD
1150 RPM	OPTIONAL
3600 RPM	OPTIONAL

### STANDARD FEATURES

- CAST ALUMINUM HOUSING
- DUAL ABEC-RATED BEARINGS
- STAINLESS PLATE MOUNT
- STAINLESS ANGLE RISERS
- STAINLESS ARBOR
- STAINLESS FASTENERS

### AVAILABLE UPGRADES

- ALL STAINLESS MIXER W/CAST STAINLESS HOUSING
- SPECIAL ALLOYS
- SANITARY FINISHES
- SHAFT COATINGS
- THREADED SANITARY COUPLINGS
- RIGID COUPLINGS
- VARIOUS IMPELLER SIZES, STYLES, AND QTY
- DIGITAL TACHOMETER

**NOTE: ALL STAINLESS STEEL UPGRADE INCLUDES STAINLESS MOTOR, STAINLESS HARDWARE, STAINLESS BEARING HOUSING (WITH VITON O-RING UPPER SEAL AND VITON LIP SEAL LOWER SEAL)**

**EST WT. 63-84 LBS (DEPENDING ON HP AND OPTIONS)**



### TYPICAL IMPELLER OPTIONS

MARINE PROP	PBT-PITCH BLADE TURBINE	PF3 HYDROFOIL	BIOPROP	RUSHTON	COWLES (SAWTOOTH)	FOLDING PROP
-------------	-------------------------	---------------	---------	---------	-------------------	--------------

	NAME	DATE
DRAWN	JDF	3/26/14
CHECKED	PIC	3/26/14

**PROPRIETARY AND CONFIDENTIAL**  
 THE INFORMATION CONTAINED IN THIS DRAWING IS THE SOLE PROPERTY OF FUSION FLUID EQUIPMENT LLC. ANY REPRODUCTION IN PART OR AS A WHOLE WITHOUT THE WRITTEN PERMISSION OF FUSION FLUID EQUIPMENT LLC IS PROHIBITED.

UNLESS OTHERWISE SPECIFIED: DIMENSIONS ARE IN INCHES. NO TOLERANCE IS IMPLIED. DO NOT SCALE DRAWING.



TITLE: FUSION PRO PDA-A ANGLE RISER MOUNT MIXER DIRECT DRIVE ELECTRIC		
SIZE: A	DWG. NO. SALES-PD-#A-#	REV: A
SCALE: 1:16	WEIGHT:	SHEET 1 OF 1