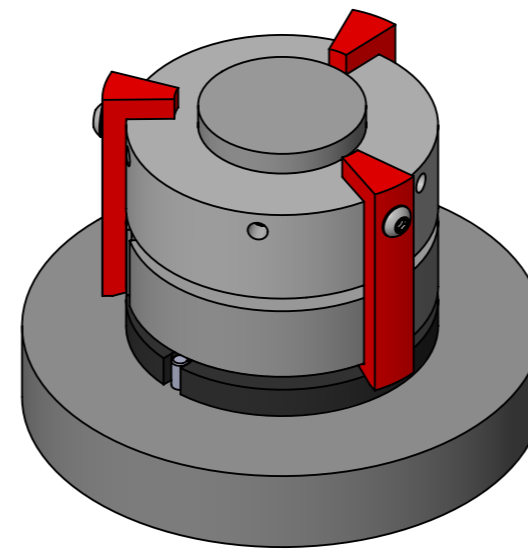
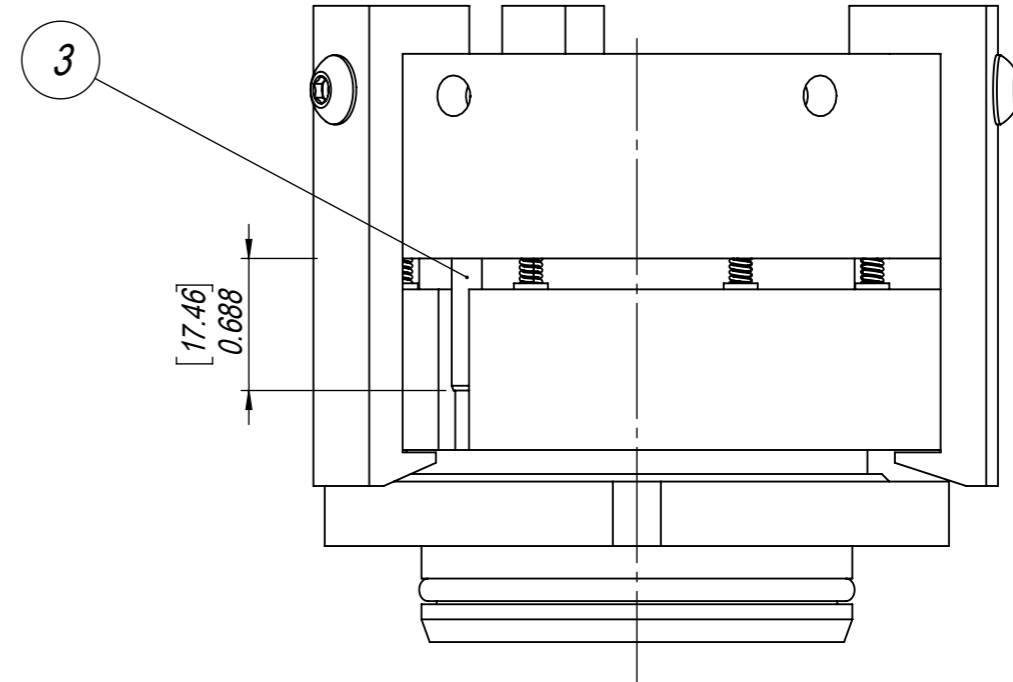
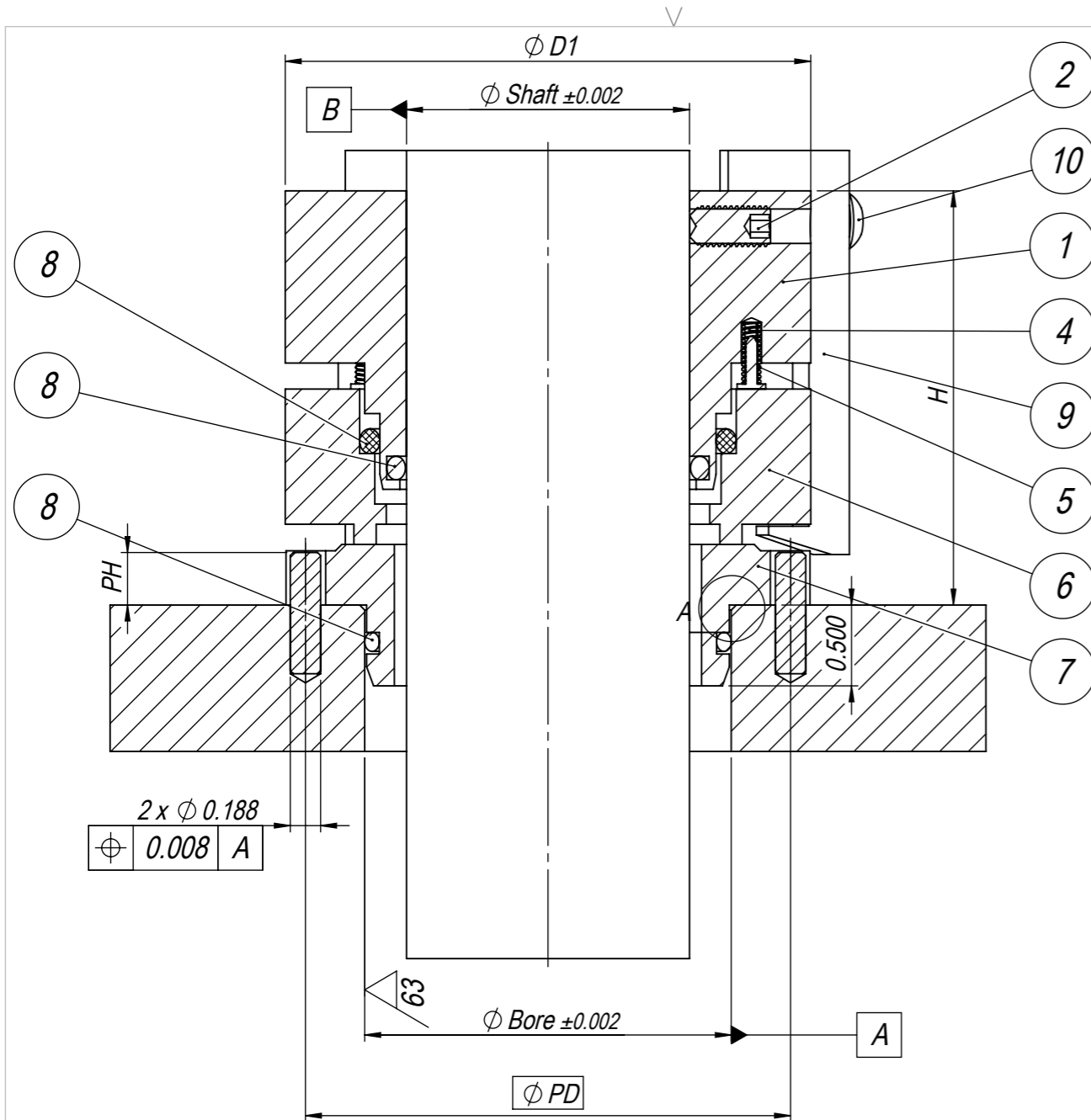


Ch.No	Change	Date	Made by	Check. by
11	Added A6 material option.	2020-10-05	KAV	KJW
12	Removed Z5 and added W0, W3 and Z0 to seal code.	2022-05-25	KAV	KJW



Seal Code					
Type	Size	Seal Ring	Mating Ring	Metal*	Secondary Seals
BDRA					
	075 (0.75")	C3 (Carbon)	S6 (SSiC)	A4 (Type 316L)	E1 (EPDM)
	100 (1")	C9 (Carbon)	T4 (WC - Ni)	A6 (Duplex 2205)	E7 (EPDM Pharma**)
	125 (1.25")	J6 (PTFE)		G2 (C-276)	F1 (FKM)
	150 (1.5")		12	W0 (C-22)	F7 (FKM Pharma**)
	175 (1.75")			W3 (B-3)	L1 (Silicone)
	200 (2")			11	L7 (Silicone Pharma**)
	225 (2.25")				P1 (FEP/FKM***)
	250 (2.5")				P3 (FEP Pharma/FKM**)
	275 (2.75")			12	Q0 (FFKM Pharma**)
	300 (3")				Z0 (FFKM)
	350 (3.5")				
	400 (4")				

Refer to 13-0697 for detailed BOM's.
 *Only applicable to process contact parts. Other options may be available, consult engineering department.
 **Denotes traceability of all process contact parts.
 ***Denotes traceability of process contact metal parts only.

Shaft	Bore	PD	PH	D1	H
0.750	1.269	2.000	0.200	2.250	2.437
1.000	1.519	2.250	0.200	2.500	2.437
1.250	1.768	2.500	0.200	2.750	2.437
1.500	2.017	2.750	0.200	3.000	2.437
1.750	2.267	3.000	0.325	3.250	2.562
2.000	2.517	3.250	0.325	3.500	2.562
2.250	2.766	3.500	0.325	3.750	2.562
2.500	3.016	3.750	0.325	4.000	2.562
2.750	3.265	4.000	0.325	4.250	2.562
3.000	3.515	4.250	0.325	4.500	2.562
3.500	4.015	5.000	0.325	5.250	2.562
4.000	4.515	5.500	0.325	5.750	2.562

Drawn by	Date	Description
VID	2014-11-06	BDRA 0.75" - 4.00"
Checked by	Approved by	Applicable to
KJW	KJW	
Format	Scale	Weight (kg)
A3	1:1	-
		Material
		-

Bill of Materials		
Item Number	Description	Material
1	Drive Ring	See seal code
2	Set Screw	18/8 SS
3	Drive Pin	Type 316
4	Coil Spring	Type 302
5	Guide Pin	Type 316
6	Seal Ring	See seal code
7	Mating Ring	See seal code
8	O-Rings	See seal code
9	Setup Clip	Aluminum
10	Setup Clip Screw	18/8 SS
-	Assembly Instructions	-
-	Setup Clip Warning Tag	-



The information contained herein is confidential and proprietary information belonging exclusively to Roplan Holding AB and/or its subsidiary companies, and shall not be used or reproduced in any manner, or disclosed to others without the prior written permission of Roplan Holding AB, or a subsidiary company thereof.

此处所包含信息专属于 Roplan Holding AB 及其附属公司，未经 Roplan Holding AB 及其附属公司书面许可，不得使用或以任何方式转载。

Drawing No.	Page	Rev.
13-0662	1(1)	12