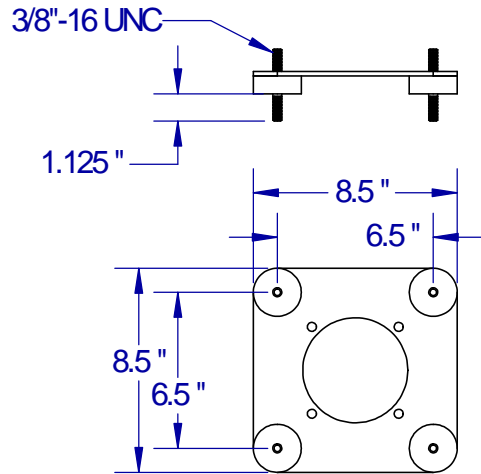


MOST COMMON AVAILABLE OPTIONS:

- SINGLE PHASE TEFC MOTOR
- SANITARY MOTOR
- EXPLOSION PROOF MOTOR
- ALTERNATE IMPELLER SIZES AND TYPES
- SANITARY FINISHES

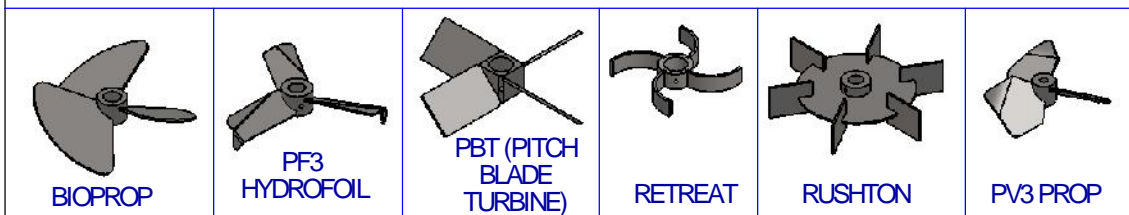


MOUNTING DETAIL



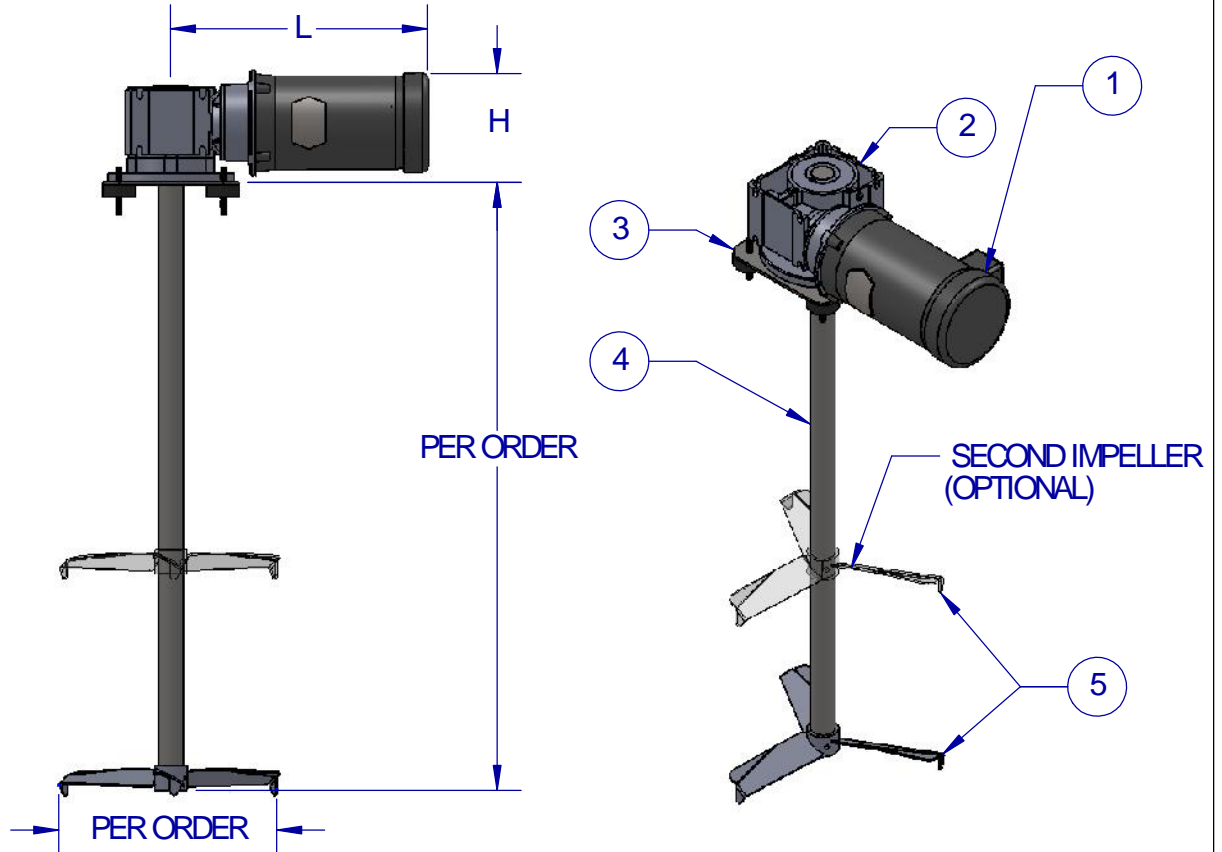
DIM	FW-1P	FW-2P	FW-3P	FW-4P	FW-5P
DIM H	5.83"	6.24"	6.64"	8.29"	8.79"
DIM L	16.81"	17.20"	17.60"	18.67"	19.18"

TYPICAL IMPELLER OPTIONS



ITEM	DESCRIPTION
1	MOTOR - 230/460/60, THREE PHASE, TEFC STANDARD, INVERTER DUTY (10:1), PAINTED FINISH
2	GEARBOX - WORM DRIVE, OUTPUT SPEED PER ORDER
3	MOUNT - OPEN TANK MOUNT - 8.5" X 8.5", 304SS W/ ISOLATION PADS
4	SHAFT - MATERIAL AND SIZE PER ORDER
5	IMPELLER - STAINLESS STEEL, SIZE, STYLE, & QTY PER ORDER

DIMENSIONS NOTED ARE APPROXIMATE AND ARE BASED ON STANDARD MIXER SELECTION. PLEASE CONTACT FUSION FOR EXACT DIMENSIONS.



	NAME	DATE
DRAWN	JDF	10/08/12
CHECKED	PIC	10/08/12

PROPRIETARY AND CONFIDENTIAL

THE INFORMATION CONTAINED IN THIS DRAWING IS THE SOLE PROPERTY OF FUSION FLUID EQUIPMENT LLC. ANY REPRODUCTION IN PART OR AS A WHOLE WITHOUT THE WRITTEN PERMISSION OF FUSION FLUID EQUIPMENT LLC IS PROHIBITED.

UNLESS OTHERWISE SPECIFIED: DIMENSIONS ARE IN INCHES. NO TOLERANCE IS IMPLIED. DO NOT SCALE DRAWING



TITLE: FUSION FLOW FW-P TOP ENTRY PLATE MOUNT MIXER WORM DRIVE OPEN TANK		
SIZE: A	DWG. NO. SALES-FW-#P	REV: A
SCALE: 1:16	WEIGHT:	SHEET 2 OF 2