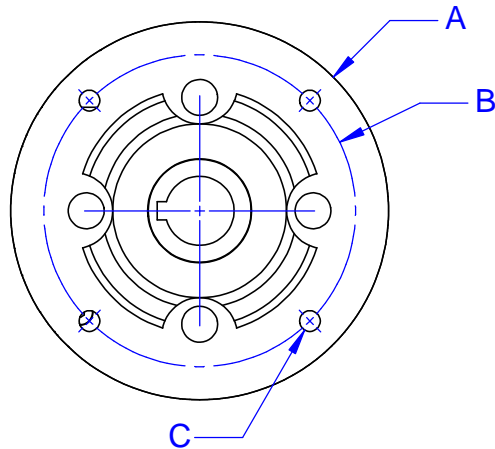


MOST COMMON AVAILABLE OPTIONS:

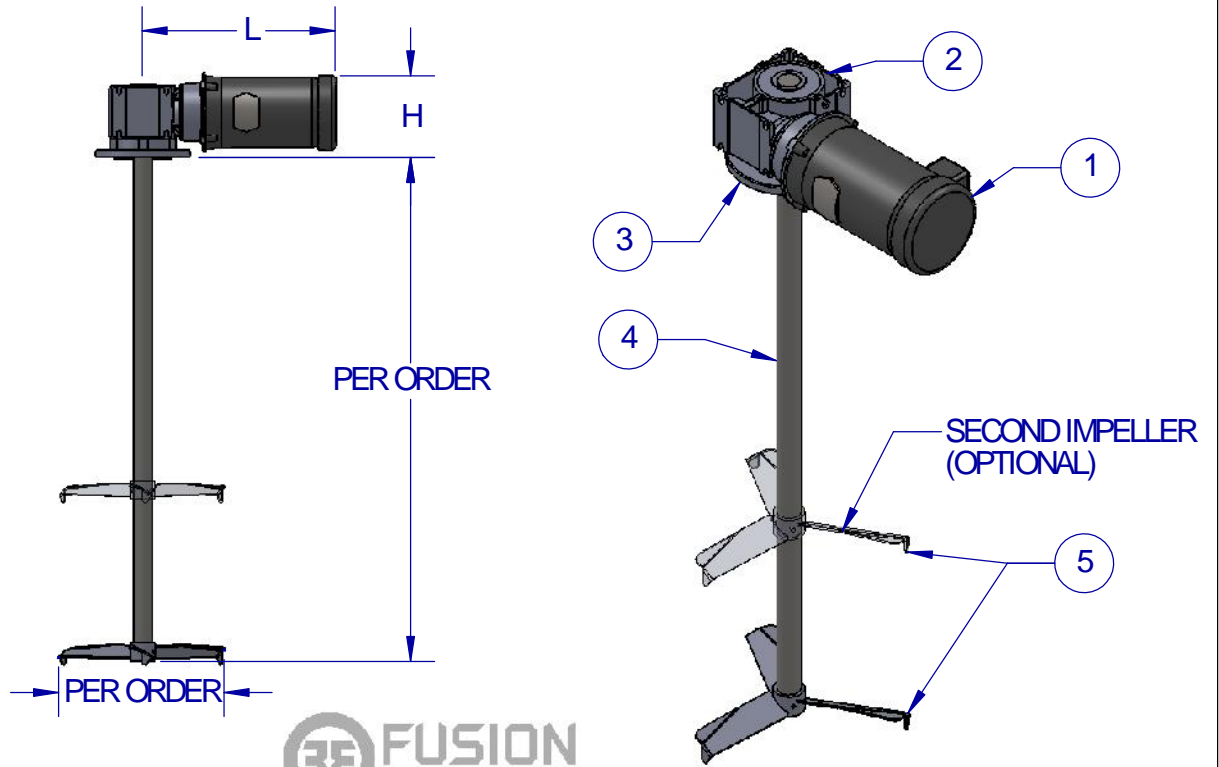
- SINGLE PHASE TEFC MOTOR
- SANITARY MOTOR
- EXPLOSION PROOF MOTOR
- HIGH PRESSURE STUFFING BOX
- SINGLE OR DOUBLE MECHANICAL SEALS
- ALTERNATE IMPELLER SIZES AND TYPES
- SANITARY FINISHES

ITEM	DESCRIPTION
1	MOTOR - 230/460/60, THREE PHASE, TEFC STANDARD, INVERTER DUTY (10:1), PAINTED FINISH
2	GEARBOX - WORM DRIVE, OUTPUT SPEED PER ORDER
3	MOUNT - OPEN TANK MOUNT - SEE TABLE FOR DETAILS
4	SHAFT - MATERIAL AND SIZE PER ORDER
5	IMPELLER - STAINLESS STEEL, SIZE, STYLE, & QTY PER ORDER

DIMENSIONS NOTED ARE APPROXIMATE AND ARE BASED ON STANDARD MIXER SELECTION. PLEASE CONTACT FUSION FOR EXACT DIMENSIONS.



MOUNTING DETAIL



DIM	FW-1M	FW-2M	FW-3M	FW-4M	FW-5M
DIM H (TYP)	5.83"	6.24"	6.64"	8.29"	8.79"
DIM L (TYP)	16.81"	17.20"	17.60"	18.67"	19.18"
FLANGE (A)	4.13"	4.72"	6.30"	7.87"	7.87"
BHC (B)	3.35"	3.94"	5.12"	6.50"	6.50"
HOLES (C)	4 X .28"	4 X .28"	4 X .35"	4 X .43"	4 X .55"



TYPICAL IMPELLER OPTIONS

BIOPROP	PF3 HYDROFOIL	PBT (PITCH BLADE TURBINE)	RETREAT	RUSHTON	PV3 PROP

	NAME	DATE
DRAWN	JDF	3/31/14
CHECKED	PIC	3/31/14

PROPRIETARY AND CONFIDENTIAL

THE INFORMATION CONTAINED IN THIS DRAWING IS THE SOLE PROPERTY OF FUSION FLUID EQUIPMENT LLC. ANY REPRODUCTION IN PART OR AS A WHOLE WITHOUT THE WRITTEN PERMISSION OF FUSION FLUID EQUIPMENT LLC IS PROHIBITED.

WHILE FUSION FLUID EQUIPMENT LLC STRIVES TO MAINTAIN THE INTEGRITY OF A DESIGN AS APPROVED, FUSION FLUID EQUIPMENT LLC RETAINS THE RIGHT TO MAKE MODIFICATIONS DURING THE MANUFACTURING PROCESS TO IMPROVE FIT, FORM, AND FUNCTION OF THE DESIGN WITHOUT CUSTOMER NOTIFICATION OR CONSENT.

UNLESS OTHERWISE SPECIFIED:
DIMENSIONS ARE IN INCHES.
NO TOLERANCE IS IMPLIED.
DO NOT SCALE DRAWING



TITLE:		
FUSION FLOW FW-M TOP ENTRY CIRCULAR MOUNT MIXER WORM DRIVE OPEN TANK		
SIZE	DWG. NO.	REV
A	SALES-FW-#M	A
SCALE: 1:16	WEIGHT:	SHEET 1 OF 1