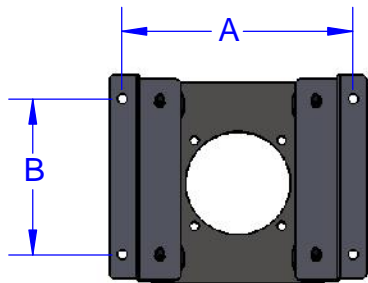
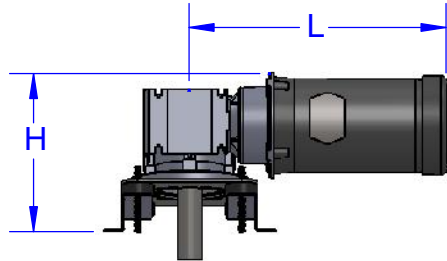


**MOST COMMON AVAILABLE OPTIONS:**

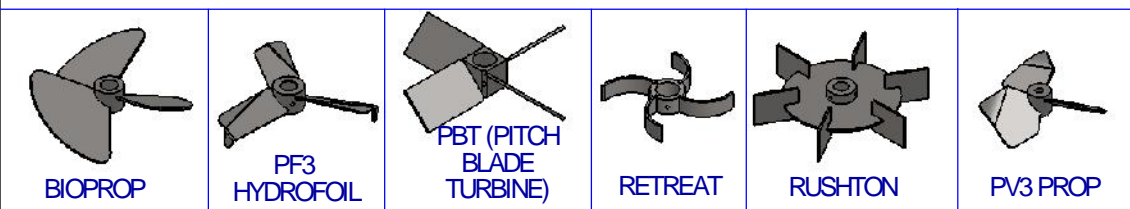
- SINGLE PHASE TEFC MOTOR
- SANITARY MOTOR
- EXPLOSION PROOF MOTOR
- ALTERNATE IMPELLER SIZES AND TYPES
- SANITARY FINISHES



**MOUNTING DETAIL**

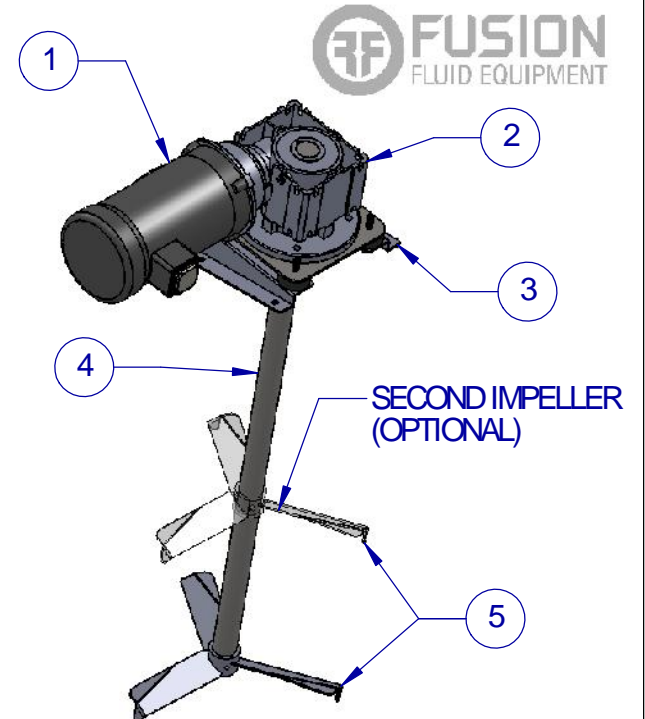
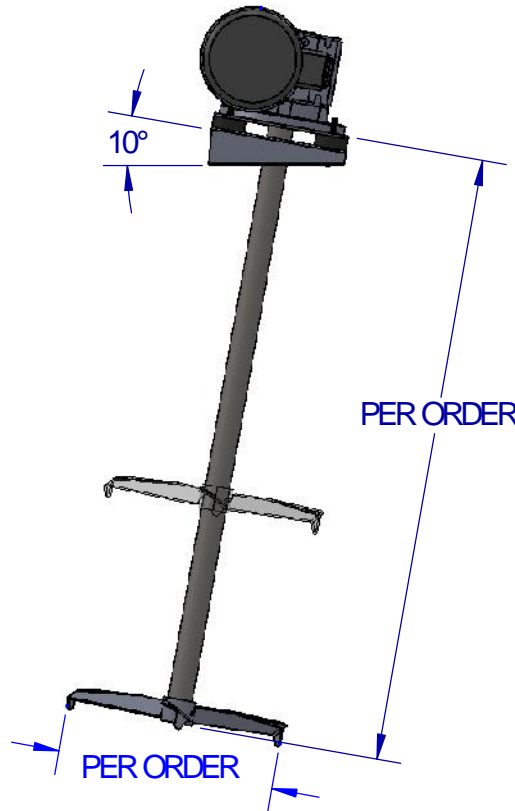
DIM	FW-1P	FW-2P	FW-3P	FW-4P	FW-5P
DIM A	7.00"	7.00"	9.00"	9.00"	9.00"
DIM B	6.88"	6.88"	8.86"	8.86"	8.86"
DIM H	7.44"	7.85"	8.25"	9.90"	10.40"
DIM L	16.81"	17.20"	17.60"	18.67"	19.18"

**TYPICAL IMPELLER OPTIONS**



ITEM	DESCRIPTION
1	MOTOR - 230/460/60, THREE PHASE, TEFC STANDARD, INVERTER DUTY (10:1), PAINTED FINISH
2	GEARBOX - WORM DRIVE, OUTPUT SPEED PER ORDER
3	MOUNT - OPEN TANK ANGLE MOUNT - 8.5" X 8.5", 304SS W/ ISOLATION PADS
4	SHAFT - MATERIAL AND SIZE PER ORDER
5	IMPELLER - STAINLESS STEEL, SIZE, STYLE, & QTY PER ORDER

DIMENSIONS NOTED ARE APPROXIMATE AND ARE BASED ON STANDARD MIXER SELECTION. PLEASE CONTACT FUSION FOR EXACT DIMENSIONS.



	NAME	DATE
DRAWN	JDF	6/23/14
CHECKED	PIC	6/23/14

**PROPRIETARY AND CONFIDENTIAL**  
 THE INFORMATION CONTAINED IN THIS DRAWING IS THE SOLE PROPERTY OF FUSION FLUID EQUIPMENT LLC. ANY REPRODUCTION IN PART OR AS A WHOLE WITHOUT THE WRITTEN PERMISSION OF FUSION FLUID EQUIPMENT LLC IS PROHIBITED.

UNLESS OTHERWISE SPECIFIED:  
 DIMENSIONS ARE IN INCHES.  
 NO TOLERANCE IS IMPLIED.  
 DO NOT SCALE DRAWING



TITLE: FUSION FLOW FW-A TOP ENTRY ANGLE MOUNT MIXER WORM DRIVE OPEN TANK		
SIZE DWG. NO. <b>A</b> SALES-FW-#A	REV A	SCALE: 1:16 WEIGHT: SHEET 1 OF 1