

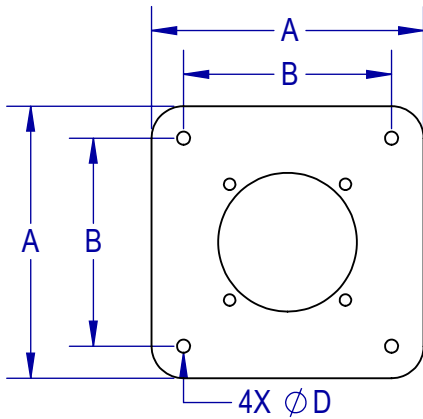
MOST COMMON AVAILABLE OPTIONS:

- SINGLE PHASE TEFC MOTOR (≤ 10HP)
- 50 Hz INVERTER DUTY MOTOR
- UP TO 250HP 3 PHASE MOTOR
- SANITARY MOTOR
- EXPLOSION PROOF MOTOR
- ALTERNATE IMPELLER SIZES AND TYPES
- SANITARY FINISHES



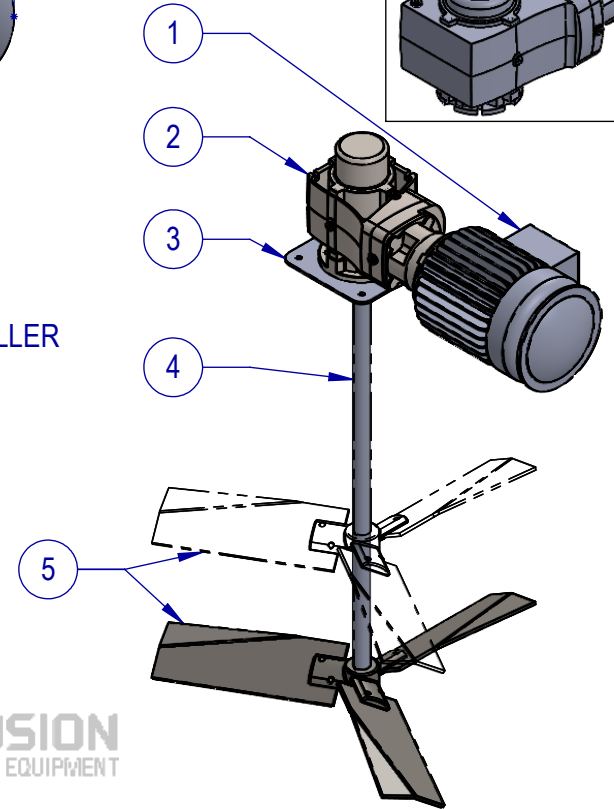
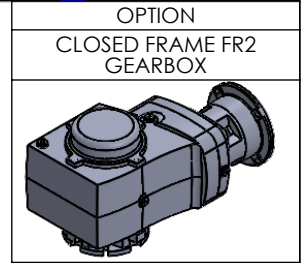
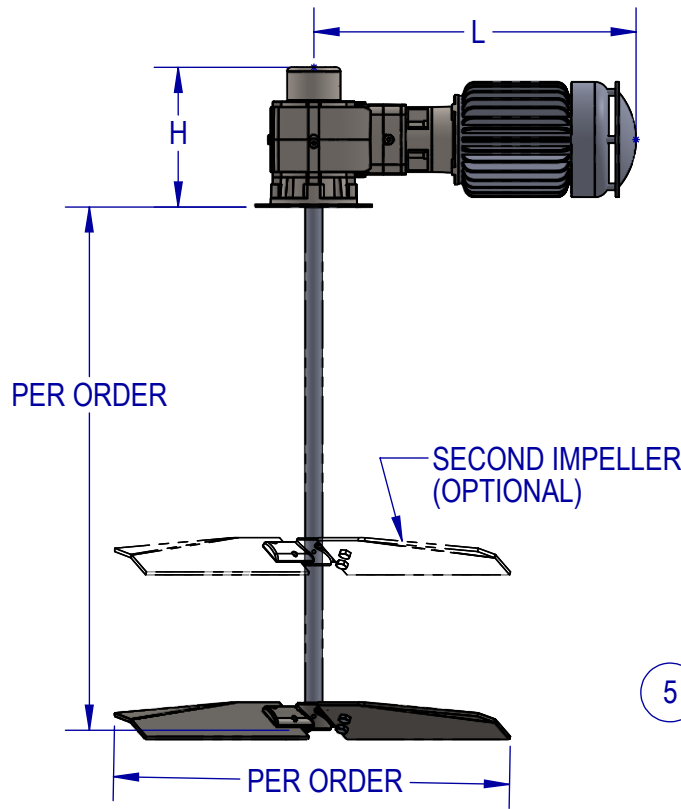
| ITEM | DESCRIPTION |
|------|--|
| 1 | MOTOR - 230/460/60, 3 PHASE, TEFC STANDARD, INVERTER DUTY (10:1), PAINTED FINISH |
| 2 | GEARBOX - HELICAL/BEVEL DRIVE, OUTPUT SPEED PER ORDER, ALUMINUM, PAINTED FINISH |
| 3 | MOUNT - OPEN TANK MOUNT - CARBON STEEL |
| 4 | SHAFT - LENGTH AND DIAMETER PER ORDER, 316SS TYP. |
| 5 | IMPELLER - SIZE, STYLE, & QTY PER ORDER, 316SS TYP. |

MOUNTING DETAIL



DIMENSIONS NOTED ARE APPROXIMATE AND ARE BASED ON TYPICAL MIXER CONFIGURATION. MOTOR SELECTION WILL AFFECT OVERALL LENGTH. PLEASE CONTACT FUSION FOR FURTHER DETAILS.

| DOUBLE REDUCTION | | | | | |
|------------------|---------|---------|---------|---------|---------|
| DIM | FR2E-1P | FR2E-2P | FR2E-3P | FR2E-4P | FR2E-5P |
| DIM A | 8.50" | 8.50" | 8.50" | 8.50" | 10.00" |
| DIM B | 6.50" | 6.50" | 6.50" | 6.50" | 8.50" |
| DIM D | .41" | .41" | .41" | .41" | .61" |
| PLATE THICKNESS | .18" | .18" | .25" | .25" | .75" |
| DIM H | 6.6" | 8.0" | 9.8" | 10.9" | 13.3" |
| DIM L | 19.6" | 20.4" | 21.8" | 26.1" | 27.2" |



TYPICAL IMPELLER OPTIONS

| BOLTED PF3 HYDROFOIL | BOLTED PBT (PITCH BLADE TURBINE) | RADIAL | RUSHTON | PV3 PROP |
|----------------------|----------------------------------|--------|---------|----------|
| | | | | |

UNLESS OTHERWISE SPECIFIED:
DIMENSIONS ARE IN INCHES.
NO TOLERANCES IMPLIED.
DO NOT SCALE DRAWING

| | NAME | DATE |
|---------|------|---------|
| DRAWN | SB | 5/25/22 |
| CHECKED | MB | 5/26/22 |

PROPRIETARY AND CONFIDENTIAL

THE INFORMATION CONTAINED IN THIS DRAWING IS THE SOLE PROPERTY OF FUSION FLUID EQUIPMENT LLC. ANY REPRODUCTION IN PART OR AS A WHOLE WITHOUT THE WRITTEN PERMISSION OF FUSION FLUID EQUIPMENT LLC IS PROHIBITED.



| | | |
|---|----------------|--------------|
| TITLE: FUSION FLOW FR2E-P TOP ENTRY PLATE MOUNT MIXER HELICAL/BEVEL DRIVE OPEN TANK | | |
| SIZE | DWG. NO. | REV |
| A | SALES-FR2E-#-# | C |
| SCALE: 1:14 | WEIGHT: | SHEET 1 OF 1 |