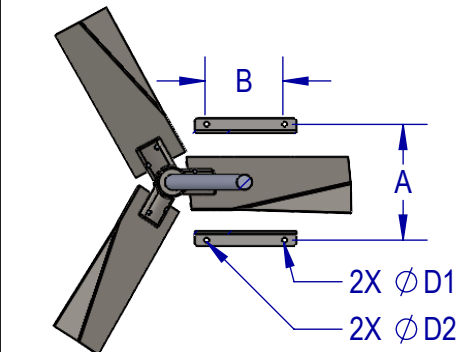


MOST COMMON AVAILABLE OPTIONS:

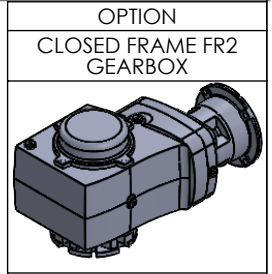
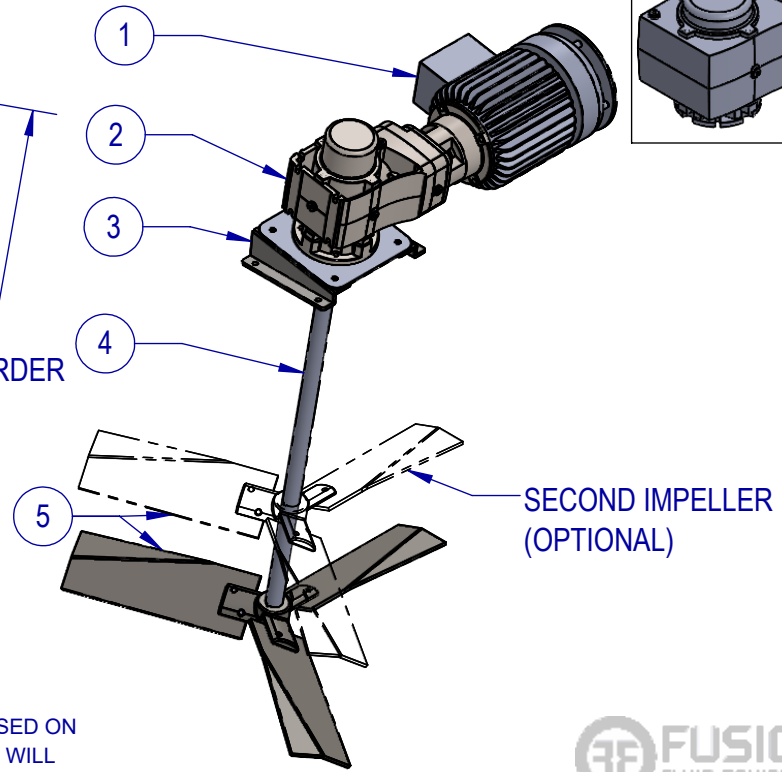
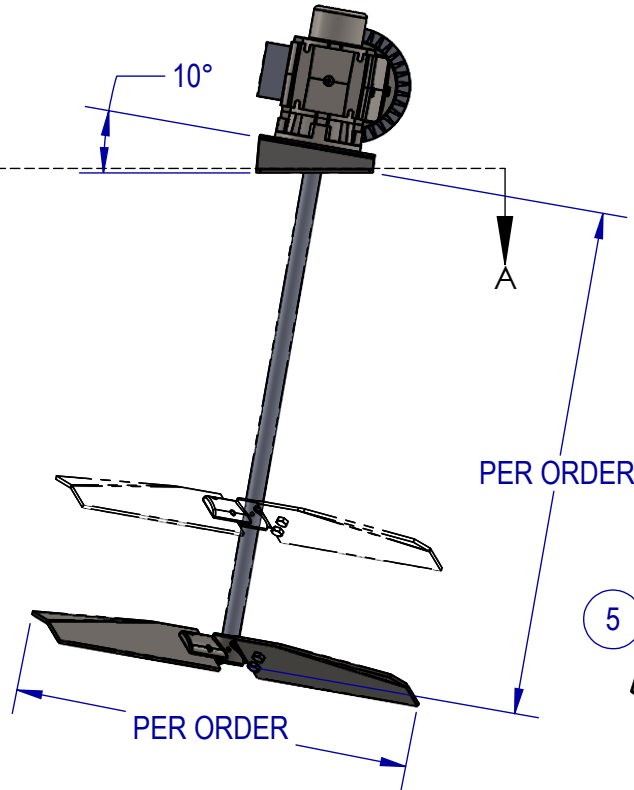
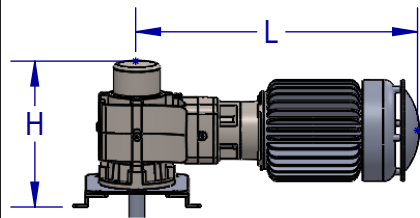
- SINGLE PHASE TEFC MOTOR (≤ 10HP)
- 50 Hz INVERTER DUTY MOTOR
- UP TO 250HP 3 PHASE MOTOR
- SANITARY MOTOR
- EXPLOSION PROOF MOTOR
- ALTERNATE IMPELLER SIZES AND TYPES
- SANITARY FINISHES



ITEM	DESCRIPTION
1	MOTOR - 230/460/60, 3 PHASE, TEFC STANDARD, INVERTER DUTY (10:1), PAINTED FINISH
2	GEARBOX - HELICAL/BEVEL DRIVE, OUTPUT SPEED PER ORDER, ALUMINUM, PAINTED FINISH
3	MOUNT - OPEN TANK ANGLE MOUNT - CARBON STEEL
4	SHAFT - LENGTH AND DIAMETER PER ORDER, 316SS TYP.
5	IMPELLER - SIZE, STYLE, & QTY PER ORDER, 316SS TYP.



MOUNTING DETAILS



DOUBLE REDUCTION					
DIM	FR2E-1A	FR2E-2A	FR2E-3A	FR2E-4A	FR2E-5A
DIM A	9.63"	9.63"	9.63"	9.63"	16.02"
DIM B	6.50"	6.50"	6.50"	6.50"	8.50"
DIM D1	.41"	.41"	.41"	.41"	.73"
DIM D2					.61"
DIM H	9.8"	10.7"	12.8"	16.8"	18.1"
DIM L	19.6"	20.4"	21.8"	26.1"	27.2"

DIMENSIONS NOTED ARE APPROXIMATE AND ARE BASED ON TYPICAL MIXER CONFIGURATION. MOTOR SELECTION WILL AFFECT OVERALL LENGTH. PLEASE CONTACT FUSION FOR FURTHER DETAILS.

TYPICAL IMPELLER OPTIONS

BOLTED PF3 HYDROFOIL	BOLTED PBT (PITCH BLADE TURBINE)	RADIAL	RUSHTON	PV3 PROP

UNLESS OTHERWISE SPECIFIED:
DIMENSIONS ARE IN INCHES.
NO TOLERANCES IMPLIED.
DO NOT SCALE DRAWING

	NAME	DATE
DRAWN	SB	5/24/22
CHECKED	MB	6/24/22

PROPRIETARY AND CONFIDENTIAL

THE INFORMATION CONTAINED IN THIS DRAWING IS THE SOLE PROPERTY OF FUSION FLUID EQUIPMENT LLC. ANY REPRODUCTION IN PART OR AS A WHOLE WITHOUT THE WRITTEN PERMISSION OF FUSION FLUID EQUIPMENT LLC IS PROHIBITED.

TITLE:		REV	
FUSION FLOW FR2E-A TOP ENTRY ANGLE MOUNT MIXER HELICAL/BEVEL DRIVE OPEN TANK		B	
SIZE	DWG. NO.	REV	
A	SALES-FR2E-#A-#	B	
SCALE: 1:16	WEIGHT:	SHEET 1 OF 1	

