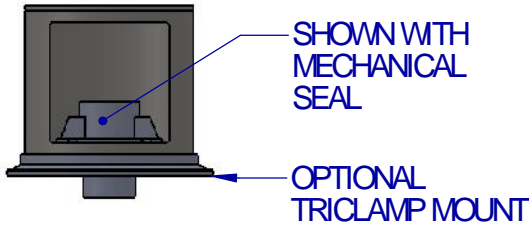


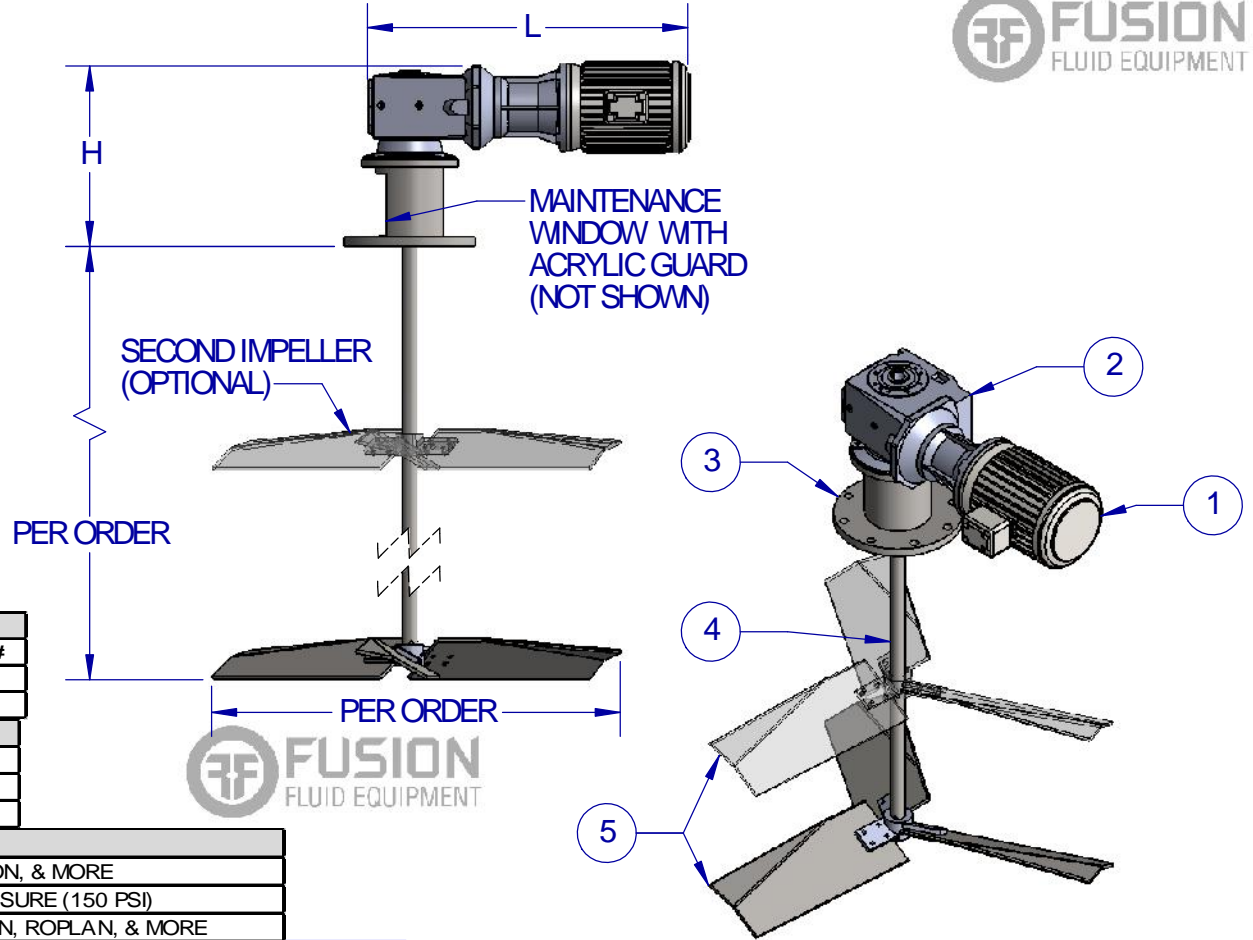
**MOST COMMON AVAILABLE OPTIONS:**

- SINGLE PHASE TEFC MOTOR
- SANITARY MOTOR
- EXPLOSION PROOF MOTOR
- ALTERNATE SEALING OPTIONS
- VAPOR SEALS, HIGH OR LOW PRESSURE STUFFING BOXES, SINGLE OR DOUBLE MECHANICAL SEALS
- TRICLAMP MOUNT
- ALTERNATE IMPELLER SIZES AND TYPES
- SANITARY FINISHES



ITEM	DESCRIPTION
1	MOTOR - 230/460/60, THREE PHASE, TEFC STANDARD, INVERTER DUTY (10:1), PAINTED FINISH
2	GEARBOX - HELICAL/BEVEL, OUTPUT SPEED PER ORDER, PAINTED FINISH
3	PEDESTAL - MOUNTING/SEAL PER ORDER
4	SHAFT - MATERIAL AND SIZE PER ORDER
5	IMPELLER - STAINLESS STEEL, SIZE, STYLE, & QTY PER ORDER

DIMENSIONS NOTED ARE APPROXIMATE AND ARE BASED ON STANDARD MIXER SELECTION. PLEASE CONTACT FUSION FOR EXACT DIMENSIONS.



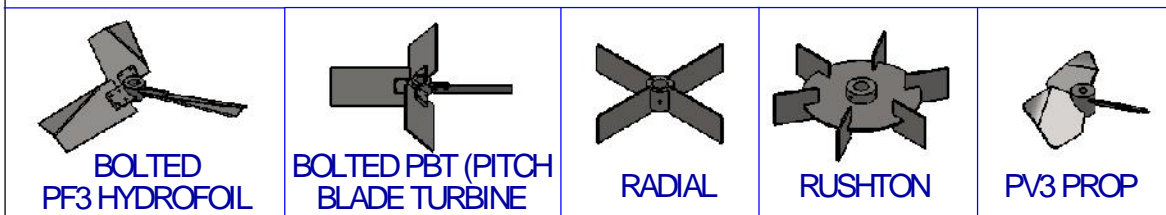
-# BEARING HOUSING OPTIONS	
-0	STANDARD DUTY/STANDARD SPAN
-1	HEAVY DUTY / STANDARD SPAN
-2	SEVERE DUTY WIDE SPAN/VIRTUAL DRYWELL
-4	SEVERE DUTY WIDE SPAN/TRUE DRYWELL

DOUBLE REDUCTION					
DIM	FR2-1F-#	FR2-2F-#	FR2-3F-#	FR2-4F-#	FR2-5F-#
DIM H	22.48"	22.93"	25.31"	25.43"	26.06"
DIM L	20.72"	20.62"	25.14"	31.61"	30.74"

TRIPLE REDUCTION					
DIM	FR3-1F-#	FR3-2F-#	FR3-3F-#	FR3-4F-#	FR3-5F-#
DIM H	25.04"	25.87"	26.50"	27.09"	30.80"
DIM L	25.26"	26.17"	30.96"	39.07"	43.80"

SEAL TYPES	NOTES
LIP SEAL	SINGLE, DOUBLE, VITON, FDA RULON, & MORE
STUFFING BOX	LOW PRESSURE (15 PSI) OR HIGH PRESSURE (150 PSI)
MECHANICAL SEAL	SINGLE, DOUBLE, FLOWSERVE, CHESTERTON, ROPLAN, & MORE

**TYPICAL IMPELLER OPTIONS**



	NAME	DATE
DRAWN	JDF	10/05/12
CHECKED	PIC	10/05/12

**PROPRIETARY AND CONFIDENTIAL**  
 THE INFORMATION CONTAINED IN THIS DRAWING IS THE SOLE PROPERTY OF FUSION FLUID EQUIPMENT LLC. ANY REPRODUCTION IN PART OR AS A WHOLE WITHOUT THE WRITTEN PERMISSION OF FUSION FLUID EQUIPMENT LLC IS PROHIBITED.  
 WHILE FUSION FLUID EQUIPMENT LLC STRIVES TO MAINTAIN THE INTEGRITY OF A DESIGN AS APPROVED, FUSION FLUID EQUIPMENT LLC RETAINS THE RIGHT TO MAKE MODIFICATIONS DURING THE MANUFACTURING PROCESS TO IMPROVE FIT, FORM, AND FUNCTION OF THE DESIGN WITHOUT CUSTOMER NOTIFICATION OR CONSENT.  
 UNLESS OTHERWISE SPECIFIED: DIMENSIONS ARE IN INCHES. NO TOLERANCE IS IMPLIED. DO NOT SCALE DRAWING.



TITLE:		
FUSION FLOW FR-F TOP ENTRY FLANGE MOUNT MIXER HELICAL/BEVEL DRIVE CLOSED TANK		
SIZE	DWG. NO.	REV
A	SALES-FR#-#F	A
SCALE: 1:24 WEIGHT:		SHEET 1 OF 1