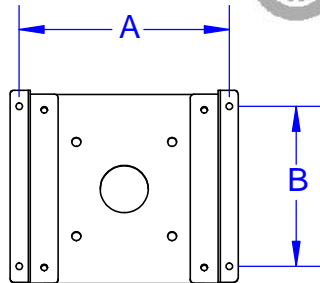


MOST COMMON AVAILABLE OPTIONS:

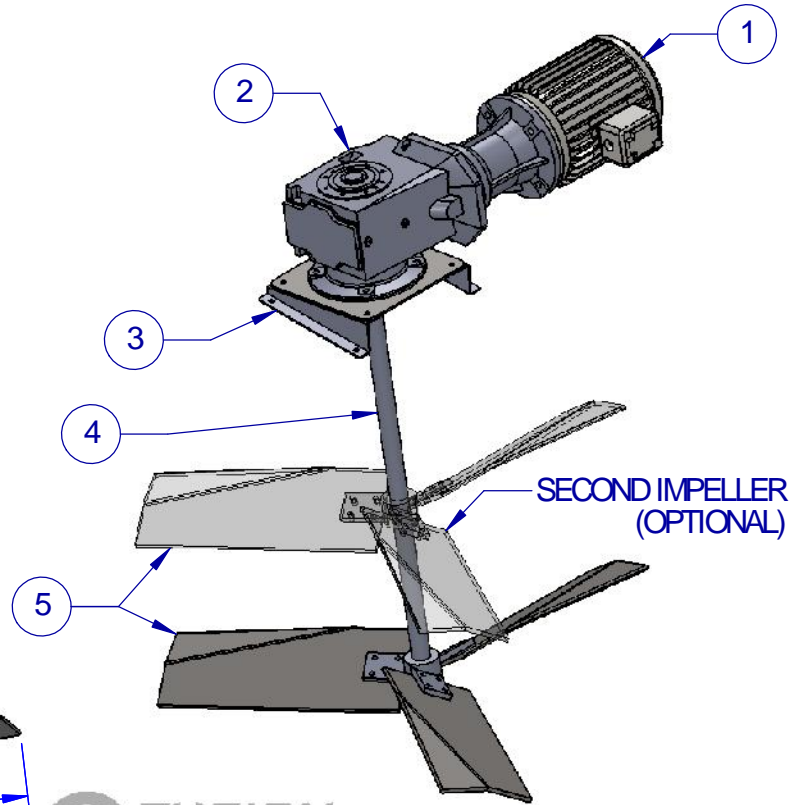
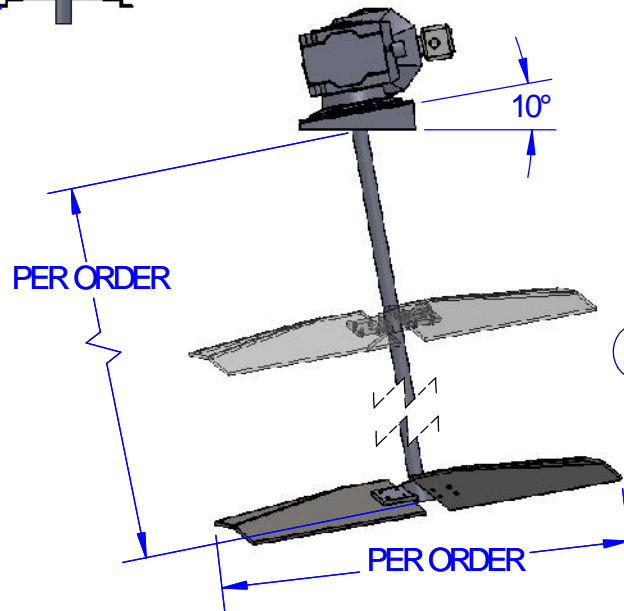
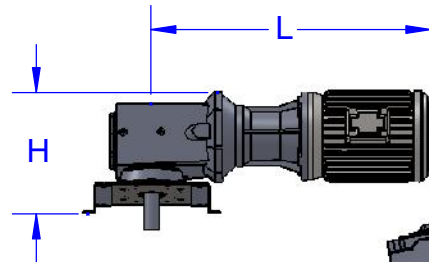
- SINGLE PHASE TEFC MOTOR
- 50Hz INVERTER DUTY MOTOR
- SANITARY MOTOR
- EXPLOSION PROOF MOTOR
- ALTERNATE IMPELLER SIZES AND TYPES
- SANITARY FINISHES

ITEM	DESCRIPTION
1	MOTOR-230/460/60, THREE PHASE, TEFC STANDARD, INVERTER DUTY (10:1), PAINTED FINISH
2	GEARBOX-HELICAL/BEVEL OUTPUT SPEED PER ORDER
3	MOUNT - OPEN TANK ANGLE MOUNT - 304SS
4	SHAFT-MATERIAL AND SIZE PER ORDER
5	IMPELLER-STAINLESS STEEL, SIZE, STYLE, & QTY PER ORDER

DIMENSIONS NOTED ARE APPROXIMATE AND ARE BASED ON STANDARD MIXER SELECTION. PLEASE CONTACT FUSION FOR EXACT DIMENSIONS.

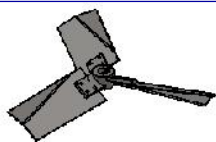


MOUNTING DETAIL

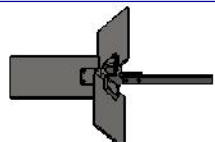


DOUBLE REDUCTION					
DIM	FR2-1A	FR2-2A	FR2-3A	FR2-4A	FR2-5A
DIM A	9.125"	9.125"	11.125"	11.125"	13.125"
DIM B	6.00"	6.00"	8.00"	8.00"	10.00"
DIM H	8.33"	8.34"	11.20"	11.47"	12.78"
DIM L	20.72"	20.62"	25.14"	31.61"	30.74"
TRIPLE REDUCTION					
DIM	FR3-1M	FR3-2M	FR3-3M	FR3-4M	FR3-5M
DIM A	11.125"	13.125"	13.125"	25.125"	25.125"
DIM B	8"	10"	10"	22"	22"
DIM H	10.62"	12.33"	13.94"	15.44"	18.69"
DIM L	25.26"	26.17"	30.96"	39.07"	43.80"

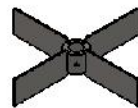
TYPICAL IMPELLER OPTIONS



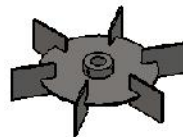
BOLTED PF3 HYDROFOIL



BOLTED PBT (PITCH BLADE TURNBINE)



RADIAL



RUSHTON



PV3 PROP



	NAME	DATE
DRAWN	JDF	7/22/14
CHECKED	PIC	7/22/14

PROPRIETARY AND CONFIDENTIAL

THE INFORMATION CONTAINED IN THIS DRAWING IS THE SOLE PROPERTY OF FUSION FLUID EQUIPMENT LLC. ANY REPRODUCTION IN PART OR AS A WHOLE WITHOUT THE WRITTEN PERMISSION OF FUSION FLUID EQUIPMENT LLC IS PROHIBITED.

UNLESS OTHERWISE SPECIFIED: DIMENSIONS ARE IN INCHES. NO TOLERANCE IS IMPLIED. DO NOT SCALE DRAWING



TITLE: **FUSION FLOW FR-A
TOP ENTRY ANGLE MOUNT MIXER
HELICAL/BEVEL DRIVE OPEN TANK**

SIZE	DWG. NO.	REV
A	SALES-FR#-#A-#	A
SCALE: 1:24	WEIGHT:	SHEET 1 OF 1