

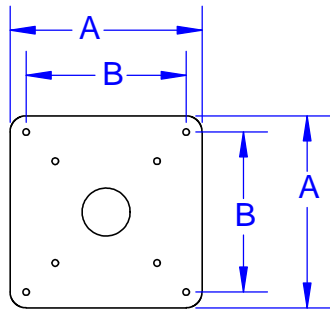
MOST COMMON AVAILABLE OPTIONS:

- SINGLE PHASE TEFC MOTOR
- STAINLESS STEEL SANITARY MOTOR AND DRIVE
- EXPLOSION PROOF MOTOR
- ALTERNATE IMPELLERS SIZES AND TYPES
- SANITARY FINISHES

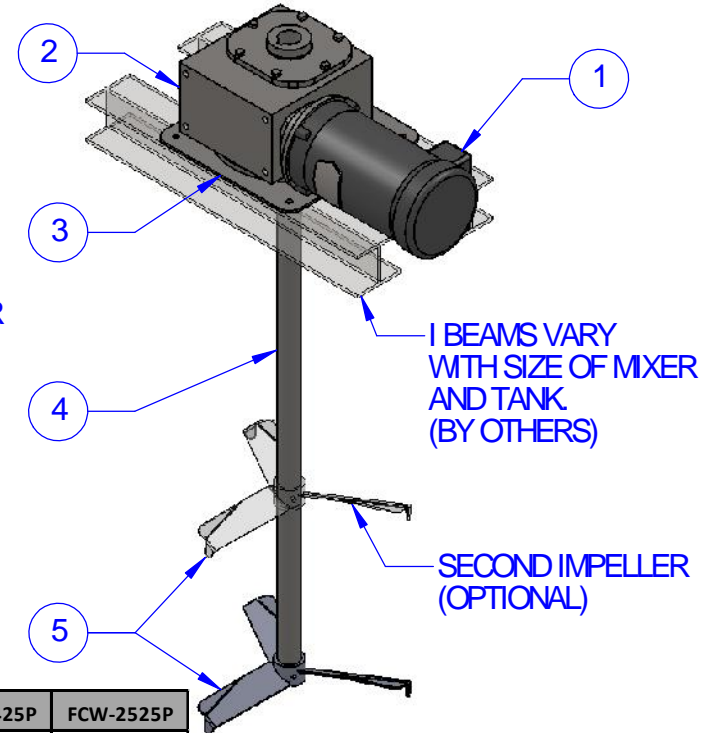
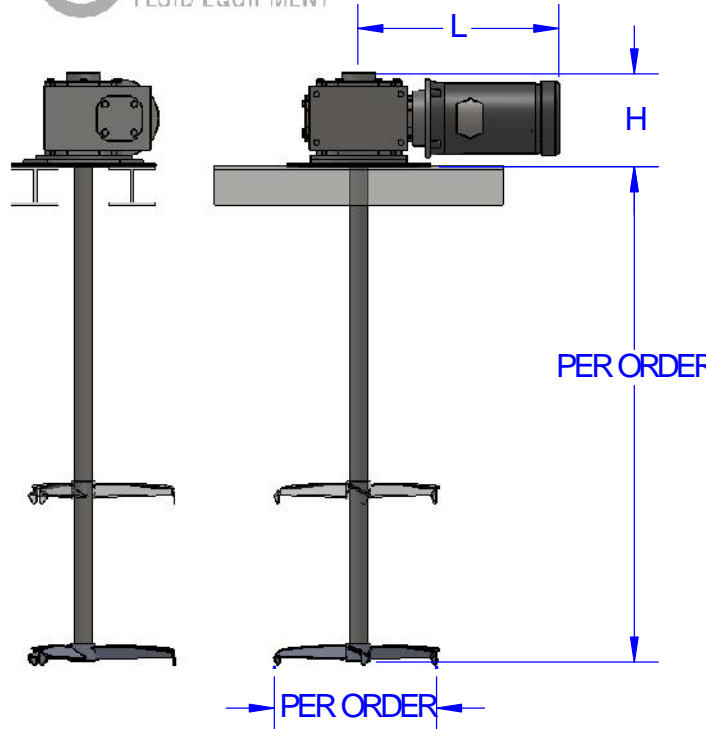
ITEM	DESCRIPTION
1	MOTOR - 230/460/60, THREE PHASE, TEFC STANDARD, INVERTER (10:1), PAINTED FINISH
2	GEARBOX - WORM DRIVE, OUTPUT SPEED PER ORDER, PAINTED FINISH
3	MOUNT - OPEN TANK PLATE MOUNT, 304SS W/ ISOLATION PADS
4	SHAFT - MATERIAL AND SIZE PER ORDER
5	IMPELLER - STAINLESS STEEL, SIZE, STYLE, & QTY PER ORDER



DIMENSIONS NOTED ARE APPROXIMATE AND ARE BASED ON STANDARD MIXER SELECTION. PLEASE CONTACT FUSION FOR EXACT DIMENSIONS.

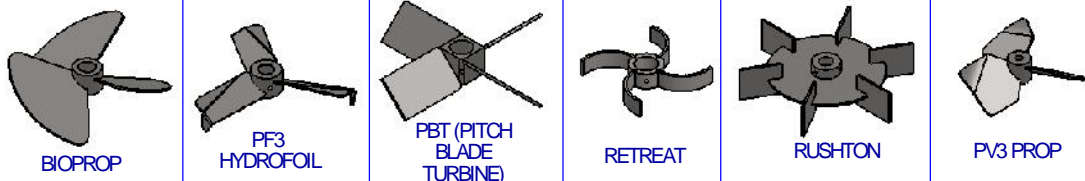


MOUNTING DETAIL
MOUNTING VARIES WITH SIZE OF MIXER



MODEL	FCW-2133P	FCW-2154P	FCW-2175P	FCW-2206P	FCW-2238P	FCW-2262P	FCW-2300P	FCW-2325P	FCW-2425P	FCW-2525P
DIM H	3.58"	5.33"	4.88"	5.31"	5.32"	5.50"	6.01"	6.45"	7.11"	8.57"
DIM L	14.50"	15.00"	15.16"	15.55"	15.65"	16.41"	16.73"	17.05"	17.33"	18.84"
DIM A	6.00"	6.00"	8.00"	8.00"	10.00"	10.00"	10.00"	10.00"	14.00"	16.00"
DIM B	5.00"	5.00"	7.00"	7.00"	9.00"	9.00"	9.00"	9.00"	12.00"	14.00"

TYPICAL IMPELLER OPTIONS



NAME	DATE
DRAWN JDF	10/08/12
CHECKED PIC	10/08/12

PROPRIETARY AND CONFIDENTIAL
THE INFORMATION CONTAINED IN THIS DRAWING IS THE SOLE PROPERTY OF FUSION FLUID EQUIPMENT LLC. ANY REPRODUCTION IN PART OR AS A WHOLE WITHOUT THE WRITTEN PERMISSION OF FUSION FLUID EQUIPMENT LLC IS PROHIBITED.

UNLESS OTHERWISE SPECIFIED:
DIMENSIONS ARE IN INCHES.
NO TOLERANCE IS IMPLIED.
DO NOT SCALE DRAWING



TITLE: FUSION FLOW FCW-P TOP ENTRY PLATE MOUNT MIXER WORM DRIVE OPEN TANK		
SIZE A	DWG. NO. SALES-FCW-####P	REV A
SCALE: 1:16	WEIGHT:	SHEET 1 OF 2