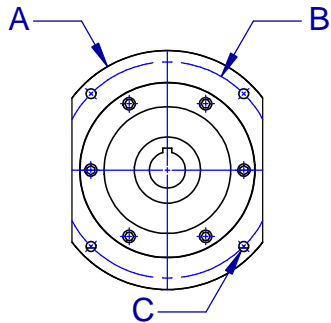


**MOST COMMON AVAILABLE OPTIONS:**

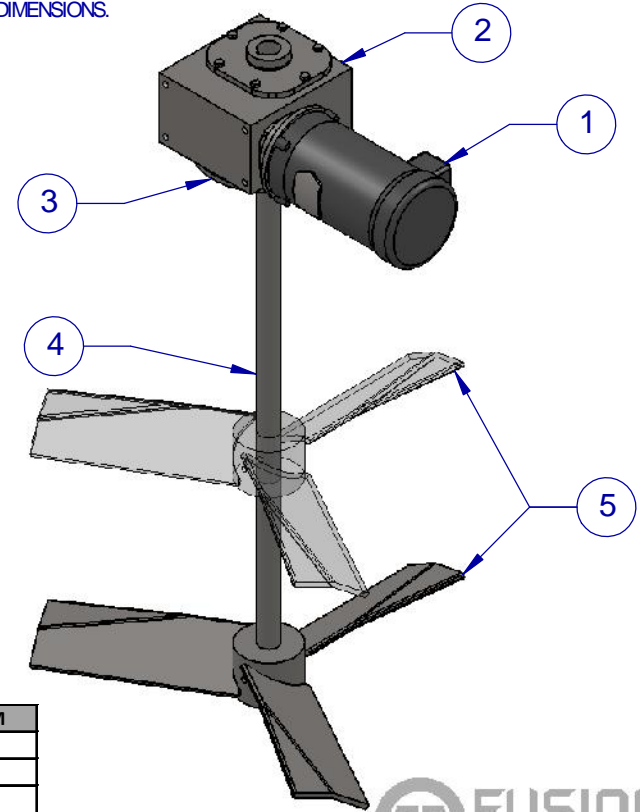
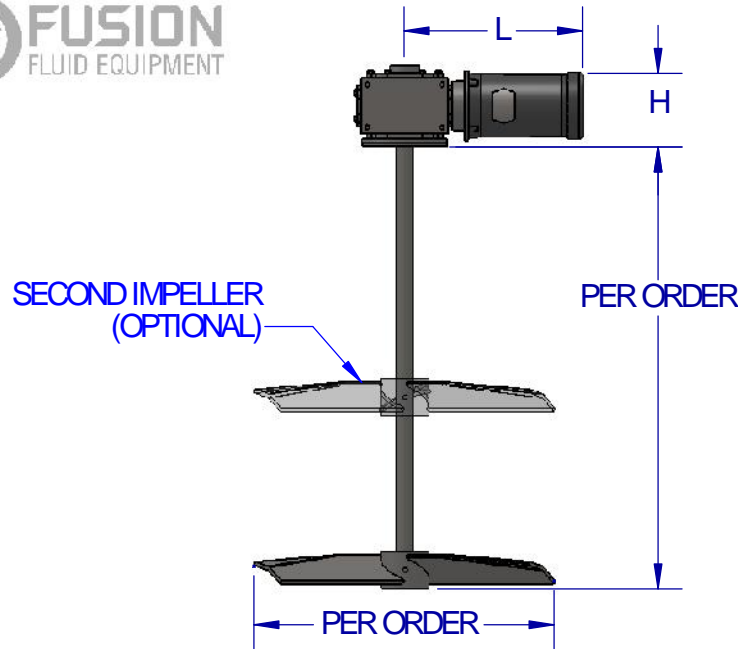
- SINGLE PHASE TEFC MOTOR
- STAINLESS STEEL SANITARY MOTOR AND DRIVE
- EXPLOSION PROOF MOTOR
- ALTERNATE IMPELLER SIZES AND TYPES
- SANITARY FINISHES

ITEM	DESCRIPTION
1	MOTOR - 230/460/60, THREE PHASE, TEFC STANDARD, INVERTER DUTY (10:1), PAINTED FINISH
2	GEARBOX - WORM DRIVE, OUTPUT SPEED PER ORDER, PAINTED FINISH
3	MOUNT - OPEN TANK MOUNT - SEE TABLE (BELOW) FOR DETAILS
4	SHAFT - MATERIAL AND SIZE PER ORDER
5	IMPELLER - STAINLESS STEEL, SIZE, STYLE, & QTY PER ORDER

DIMENSIONS NOTED ARE APPROXIMATE AND ARE BASED ON STANDARD MIXER SELECTION. PLEASE CONTACT FUSION FOR EXACT DIMENSIONS.



**MOUNTING DETAIL**



MODEL	FCW-2133M	FCW-2154M	FCW-2175M	FCW-2206M	FCW-2238M	FCW-2262M	FCW-2300M	FCW-2325M
DIM H	4.95"	6.72"	6.25"	6.75"	6.73"	7.21"	7.55"	7.97"
DIM L	14.83"	15.50"	15.58"	15.97"	18.52"	18.90"	22.70"	23.01"
FLANGE (A)	Ø5.79"	Ø5.88"	Ø6.75"	Ø7.95"	Ø8.43"	Ø8.94"	Ø9.96"	Ø9.84"
BHC (B)	Ø5.00"	Ø5.88"	Ø5.88"	Ø7.00"	Ø7.50"	Ø8.00"	Ø9.00"	Ø9.00"
HOLES (C)	4 X Ø.35"	4 X Ø.35"	4 X Ø.35"	4 X Ø.41"	4 X Ø.41"	4 X Ø.41"	4 X Ø.41"	4 X Ø.41"

**TYPICAL IMPELLER OPTIONS**

<b>BOLTED PF3 HYDROFOIL</b>	<b>ONE PIECE PF3 HYDROFOIL</b>	<b>PBT (PITCH BLADE TURBINE)</b>	<b>BOLTED PBT PITCH BLADE TURBINE</b>	<b>RUSHTON</b>	<b>PV3 PROP</b>

NAME	DATE
DRAWN JDF	3/31/14
CHECKED PIC	3/31/14
<b>PROPRIETARY AND CONFIDENTIAL</b>	
THE INFORMATION CONTAINED IN THIS DRAWING IS THE SOLE PROPERTY OF FUSION FLUID EQUIPMENT LLC. ANY REPRODUCTION IN PART OR AS A WHOLE WITHOUT THE WRITTEN PERMISSION OF FUSION FLUID EQUIPMENT LLC IS PROHIBITED.	
WHILE FUSION FLUID EQUIPMENT LLC STRIVES TO MAINTAIN THE INTEGRITY OF A DESIGN AS APPROVED, FUSION FLUID EQUIPMENT LLC RETAINS THE RIGHT TO MAKE MODIFICATIONS DURING THE MANUFACTURING PROCESS TO IMPROVE FIT, FORM, AND FUNCTION OF THE DESIGN WITHOUT CUSTOMER NOTIFICATION OR CONSENT.	
UNLESS OTHERWISE SPECIFIED: DIMENSIONS ARE IN INCHES. NO TOLERANCE IS IMPLIED. DO NOT SCALE DRAWING	

TITLE:	
FUSION FLOW FCW-M TOP ENTRY CIRCULAR MOUNT MIXER WORM DRIVE OPEN TANK	
SIZE <b>A</b>	DWG. NO. SALES-FCW-####M
SCALE: 1:16	WEIGHT:
REV <b>A</b>	SHEET 1 OF 1

