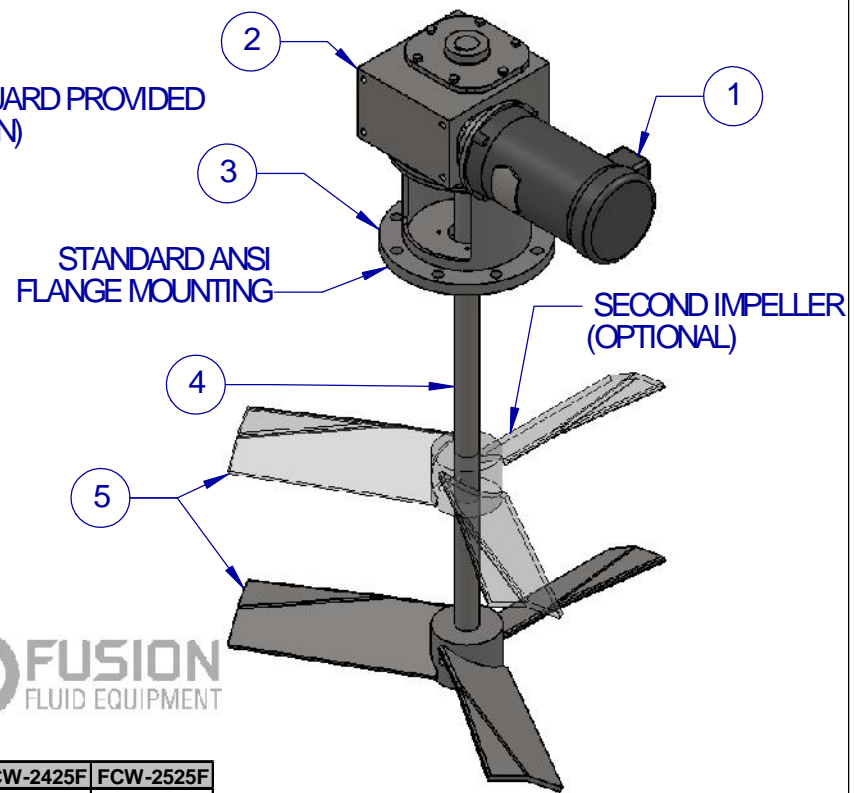
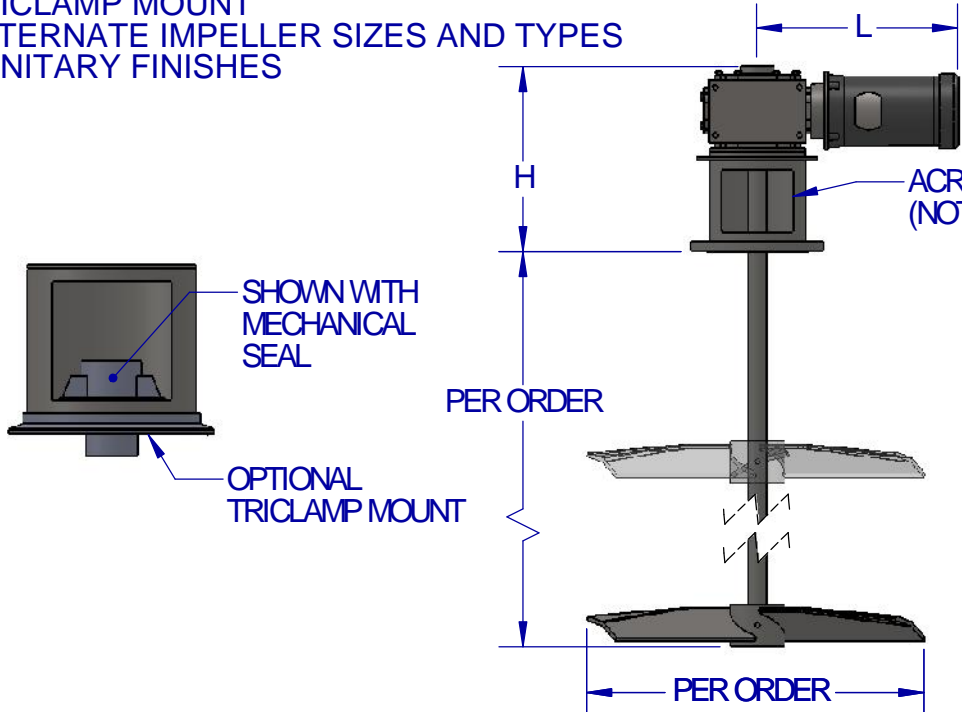


MOST COMMON AVAILABLE OPTIONS:

- SINGLE PHASE TEFC MOTOR
- 50Hz INVERTER DUTY MOTOR
- STAINLESS STEEL SANITARY MOTOR AND DRIVE
- EXPLOSION PROOF MOTOR
- ALTERNATE SEALING OPTIONS
- VAPOR SEALS, HIGH OR LOW PRESSURE STUFFING BOXES, SINGLE OR DOUBLE MECHANICAL SEALS
- TRICLAMP MOUNT
- ALTERNATE IMPELLER SIZES AND TYPES
- SANITARY FINISHES

ITEM	DESCRIPTION
1	MOTOR - 230/460/60, THREE PHASE, TEFC STANDARD, INVERTER DUTY (10:1), PAINTED FINISH
2	GEARBOX - WORM DRIVE, OUTPUT SPEED PER ORDER, PAINTED FINISH
3	PEDESTAL - MOUNTING/SEAL PER ORDER
4	SHAFT - MATERIAL AND SIZE PER ORDER
5	IMPELLER - STAINLESS STEEL, SIZE, STYLE, & QTY PER ORDER

DIMENSIONS NOTED ARE APPROXIMATE AND ARE BASED ON STANDARD MIXER SELECTION. PLEASE CONTACT FUSION FOR EXACT DIMENSIONS.



SEAL TYPE	NOTES
LIP SEAL	SINGLE, DOUBLE, VITON, FDA RULON, & MORE
STUFFING BOX	LOW PRESSURE (15 PSI) OR HIGH PRESSURE (150 PSI)
MECHANICAL SEAL	SINGLE, DOUBLE, FLOWSERVE, CHESTERTON, ROPLAN, & MORE

MODEL	FCW-2133F	FCW-2154F	FCW-2175F	FCW-2206F	FCW-2238F	FCW-2262F	FCW-2300F	FCW-2325F	FCW-2425F	FCW-2525F
DIM H	12.875"	14.595"	14.125"	14.625"	14.605"	15.085"	15.425"	15.845"	16.685"	18.745"
DIM L	13.37"	14.81"	14.30"	14.55"	14.53"	14.51"	14.60"	14.83"	15.36"	16.42"

TYPICAL IMPELLER OPTIONS

BOLTED PF3 HYDROFOIL	ONE PIECE PF3 HYDROFOIL	PBT (PITCH BLADE TURBINE)	BOLTED PBT PITCH BLADE TURBINE	RUSHTON	PV3 PROP

	NAME	DATE
DRAWN	JDF	5/1/14
CHECKED	PIC	5/1/14

PROPRIETARY AND CONFIDENTIAL
 THE INFORMATION CONTAINED IN THIS DRAWING IS THE SOLE PROPERTY OF FUSION FLUID EQUIPMENT LLC. ANY REPRODUCTION IN PART OR AS A WHOLE WITHOUT THE WRITTEN PERMISSION OF FUSION FLUID EQUIPMENT LLC IS PROHIBITED.

UNLESS OTHERWISE SPECIFIED: DIMENSIONS ARE IN INCHES. NO TOLERANCE IS IMPLIED. DO NOT SCALE DRAWING



TITLE: FUSION FLOW FCW-F TOP ENTRY FLANGE MOUNT MIXER WORM DRIVE CLOSED TANK

SIZE A	DWG. NO. SALES-FCW-####F	REV A
SCALE: 1:16	WEIGHT:	SHEET 1 OF 1