

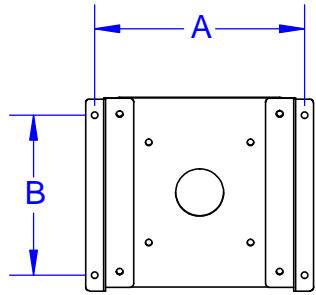
MOST COMMON AVAILABLE OPTIONS:

- SINGLE PHASE TEFC MOTOR
- SANITARY MOTOR
- EXPLOSION PROOF MOTOR
- ALTERNATE IMPELLER SIZES AND TYPES
- SANITARY FINISHES

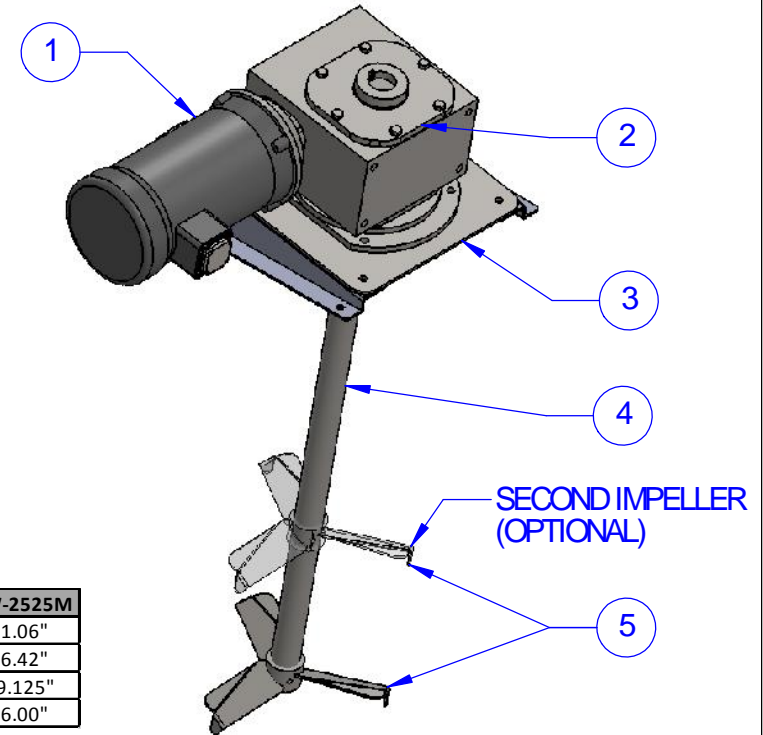
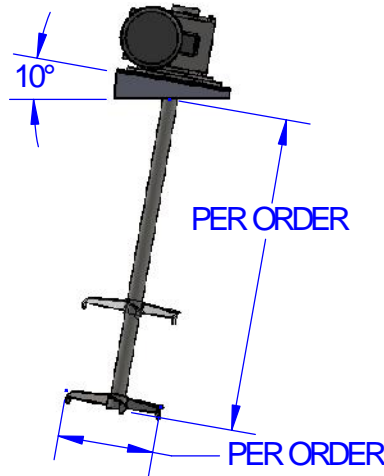
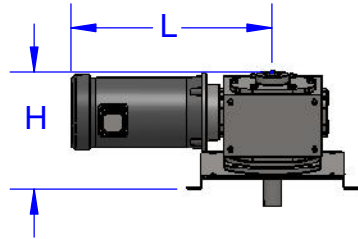


ITEM	DESCRIPTION
1	MOTOR - 230/460/60, THREE PHASE, TEFC STANDARD, INVERTER DUTY (10:1), PAINTED FINISH
2	GEARBOX - WORM DRIVE, OUTPUT SPEED PER ORDER, PAINTED FINISH
3	MOUNT - OPEN TANK ANGLE MOUNT - 8.5" X 8.5", 304SS
4	SHAFT - MATERIAL AND SIZE PER ORDER
5	IMPELLER - STAINLESS STEEL, SIZE, STYLE, & QTY PER ORDER

DIMENSIONS NOTED ARE APPROXIMATE AND ARE BASED ON STANDARD MIXER SELECTION. PLEASE CONTACT FUSION FOR EXACT DIMENSIONS.



MOUNTING DETAIL



MODEL	FCW-2133M	FCW-2154M	FCW-2175M	FCW-2206M	FCW-2238M	FCW-2262M	FCW-2300M	FCW-2325M	FCW-2425M	FCW-2525M
DIM H	5.14"	6.91"	6.44"	6.94"	6.92"	7.40"	7.74"	8.16"	9.00"	11.06"
DIM L	13.37"	14.81"	14.30"	14.55"	14.53"	14.51"	14.60"	14.83"	15.36"	16.42"
DIM A	9.125"	9.125"	9.125"	11.125"	11.125"	11.125"	13.125"	13.125"	15.125"	19.125"
DIM B	6.00"	6.00"	6.00"	8.00"	8.00"	8.00"	10.00"	10.00"	12.00"	16.00"

TYPICAL IMPELLER OPTIONS

BIOPROP	PF3 HYDROFOIL	PBT (PITCH BLADE TURBINE)	RETREAT	RUSHTON	PV3 PROP

	NAME	DATE
DRAWN	JDF	6/23/14
CHECKED	PIC	6/23/14

PROPRIETARY AND CONFIDENTIAL

THE INFORMATION CONTAINED IN THIS DRAWING IS THE SOLE PROPERTY OF FUSION FLUID EQUIPMENT LLC. ANY REPRODUCTION IN PART OR AS A WHOLE WITHOUT THE WRITTEN PERMISSION OF FUSION FLUID EQUIPMENT LLC IS PROHIBITED.

UNLESS OTHERWISE SPECIFIED: DIMENSIONS ARE IN INCHES. NO TOLERANCE IS IMPLIED. DO NOT SCALE DRAWING



TITLE: FUSION FLOW FCW-A TOP ENTRY ANGLE MOUNT MIXER WORM DRIVE OPEN TANK		
SIZE DWG. NO. A SALES-FCW-####A	REV A	
SCALE: 1:16	WEIGHT:	SHEET 1 OF 2