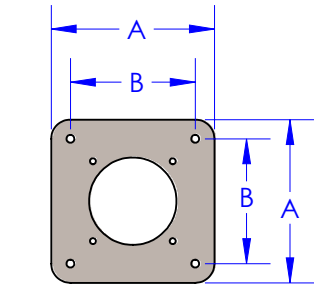


MOST COMMON AVAILABLE OPTIONS:

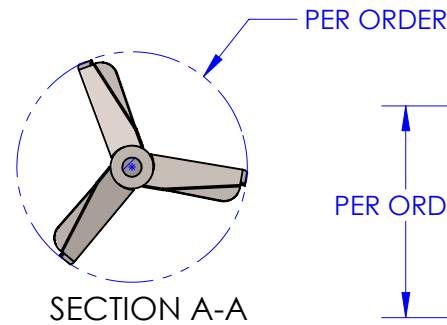
- SINGLE PHASE TEFC MOTOR (≤ 10HP)
- 60 Hz INVERTER DUTY MOTOR
- UP TO 10HP THREE PHASE MOTOR
- STAINLESS STEEL SANITARY MOTOR AND DRIVE
- EXPLOSION PROOF MOTOR
- ALTERNATE IMPELLER SIZES AND TYPES
- SANITARY FINISHES



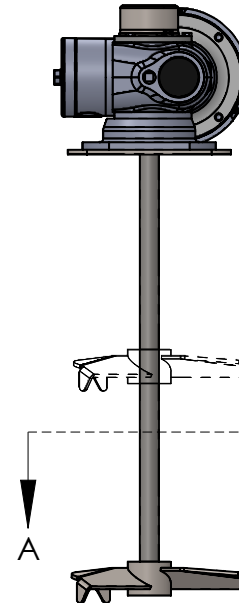
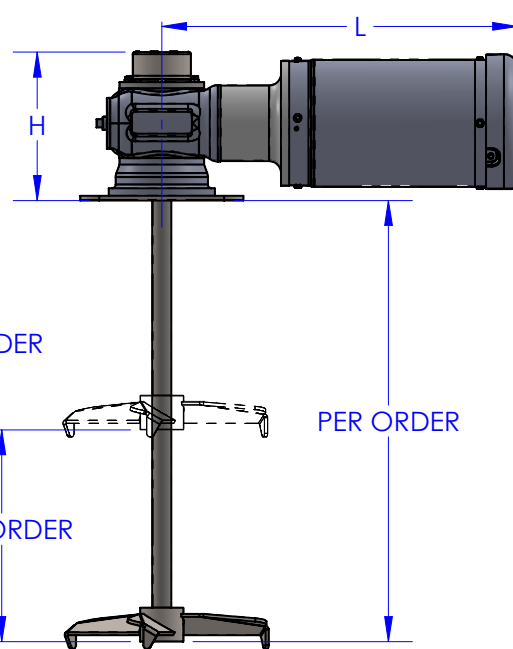
ITEM NO.	DESCRIPTION	QTY.
1	MOTOR - 230/460V, 60 Hz, 3 PHASE, TEFC STANDARD, STAINLESS STEEL	1
2	GEARBOX - WORM DRIVE, OUTPUT SPEED PER ORDER, STAINLESS STEEL	1
3	MOUNT - OPEN TANK PLATE MOUNT, 304 W/ ISOLATION PADS	1
4	SHAFT - MATERIAL AND SIZE PER ORDER	1
5	IMPELLER - STAINLESS STEEL , STYLE, SIZE, & QTY PER ORDER	1



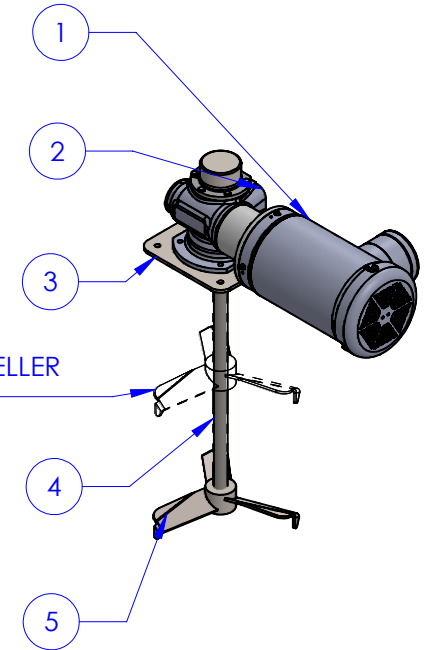
MOUNTING DETAIL



SECTION A-A



SECOND IMPELLER (OPTIONAL)



MODEL	FCWS-1.54	FCWS-1.75	FCWS-1.97	FCWS-2.38	FCWS-3.00
DIM A	8.5	8.5	8.5	CONSULT FACTORY FOR DIMENSION	
DIM B	6.5	6.5	6.5		
DIM H	7.73	7.39	7.85		
DIM L	18.54	18.78	18.9		

DIMENSIONS NOTED ARE APPROXIMATE AND ARE BASED ON TYPICAL MIXER CONFIGURATION. MOTOR SELECTION WILL AFFECT OVERALL LENGTH. PLEASE CONTACT FUSION FOR FURTHER DETAILS.

TYPICAL IMPELLER OPTIONS

BIOPROP	PF3 HYDROFOIL	PBT (PITCH BLADE TURBINE)	RETREAT	RUSHTON	PV3 PROP

UNLESS OTHERWISE SPECIFIED:
 BREAK ALL SHARP EDGES.
 DIMENSIONS ARE IN INCHES.
 TOLERANCES:
 FRACTIONAL ± 1/16"
 ANGULAR: ± 2 DEG
 ONE PLACE DECIMAL ± .060"
 TWO PLACE DECIMAL ± .010"
 THREE PLACE DECIMAL ± .005"
 DO NOT SCALE DRAWING

	A	INITIAL RELEASE	04/20/26
ZONE	REV.	DESCRIPTION	DATE
REVISIONS			
DRAWN	NAME	DATE	
CHECKED	DH	04/20/26	
PROPRIETARY AND CONFIDENTIAL			
TITLE:		FUSION FLOW FWS-A TOP ENTRY ANGLE MOUNT MIXER STAINLESS WORM DRIVE OPEN TANK	
SIZE	DWG. NO.	REV	
A	SALES-FWS-###P	A	
SCALE: 1:20		WEIGHT:	SHEET 1 OF 1