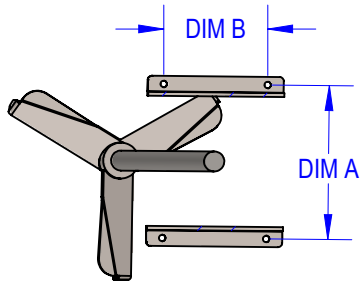


MOST COMMON AVAILABLE OPTIONS:

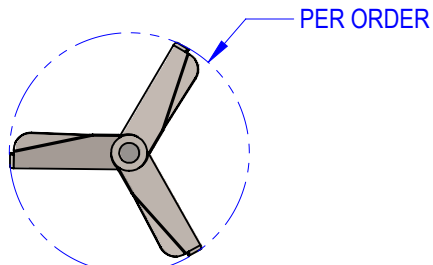
- SINGLE PHASE TEFC MOTOR (≤ 10HP)
- 60 Hz INVERTER DUTY MOTOR
- UP TO 10HP 3 PHASE MOTOR
- SANITARY MOTOR
- EXPLOSION PROOF MOTOR
- ALTERNATE IMPELLER SIZES AND TYPES
- SANITARY FINISHES



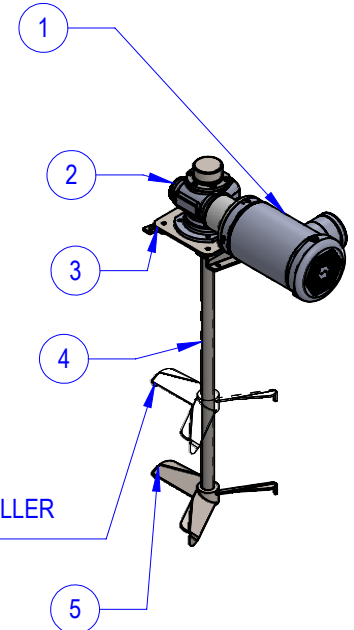
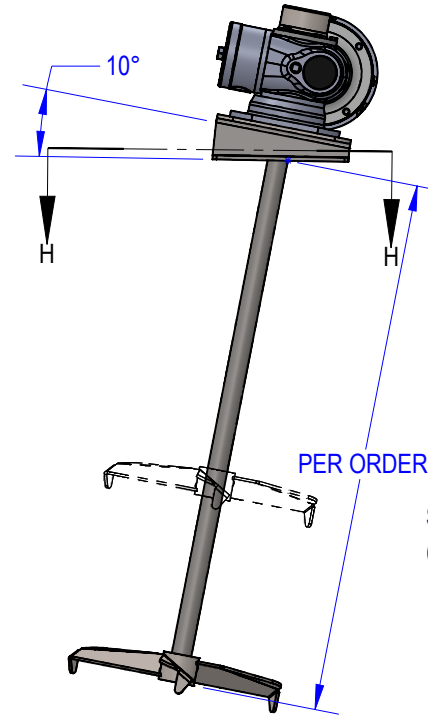
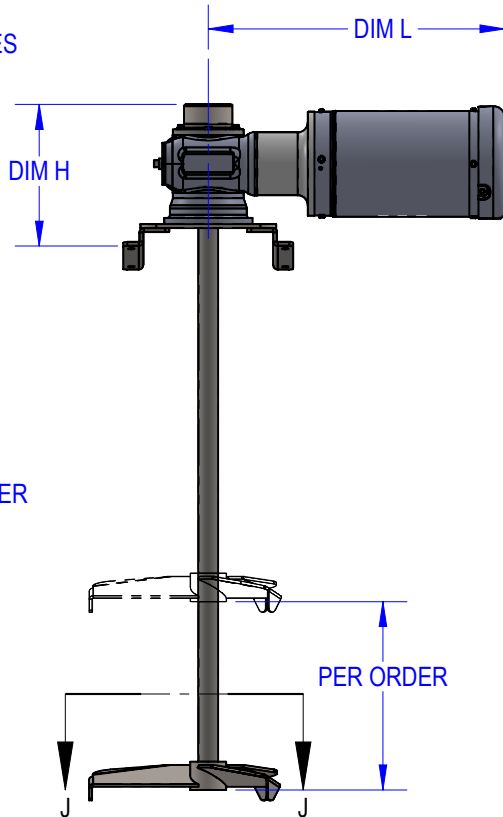
ITEM NO.	DESCRIPTION	QTY.
1	MOTOR - 230/460V, 60 Hz, 3 PHASE, STAINLESS STEEL	1
2	GEARBOX - WORM DRIVE, OUTPUT SPEED PER ORDER, STAINLESS STEEL	1
3	MOUNT - ANGLE RISER, STAINLESS STEEL	1
4	SHAFT - SIZE PER ORDER, STAINLESS STEEL	1
5	IMPELLER - MATERIAL, STYLE, SIZE & QTY PER ORDER	1



SECTION H-H
SCALE 1 : 12



SECTION J-J
SCALE 1 : 12



SECOND IMPELLER (OPTIONAL)

MODEL	FCWS-1.54	FCWS-1.75	FCWS-1.97	FCWS-2.38	FCWS-3.00
DIM A	9.63	9.63	9.63	CONSULT FACTORY FOR DIMENSIONS	
DIM B	6.5	6.5	6.5		
DIM H	9.72	9.38	10.29		
DIM L	20.67	20.91	22.09		

DIMENSIONS NOTED ARE APPROXIMATE AND ARE BASED ON TYPICAL MIXER CONFIGURATION. MOTOR SELECTION WILL AFFECT OVERALL LENGTH. PLEASE CONTACT FUSION FOR FURTHER DETAILS.

TYPICAL IMPELLER OPTIONS

BIOPROP	PF3 HYDROFOIL	PBT (PITCH BLADE TURBINE)	RETREAT	RUSHTON	PV3 PROP

UNLESS OTHERWISE SPECIFIED:
 BREAK ALL SHARP EDGES.
 DIMENSIONS ARE IN INCHES.
 TOLERANCES:
 FRACTIONAL ± 1/16"
 ANGULAR: ± 2 DEG
 ONE PLACE DECIMAL ± .060"
 TWO PLACE DECIMAL ± .010"
 THREE PLACE DECIMAL ± .005"
 DO NOT SCALE DRAWING

ZONE	REV.	DESCRIPTION	DATE
A		INITIAL RELEASE	04/16/26

REVISIONS			
NAME	DATE		
DRAWN	DH	02/05/26	
CHECKED			
TITLE: FUSION FLOW FWS TOP ENTRY ANGLE MOUNT MIXER STAINLESS WORM DRIVE OPEN TANK			
SIZE	DWG. NO.	REV	
A	SALES-FWS-###A	A	
SCALE: 1:16		WEIGHT:	SHEET 1 OF 1