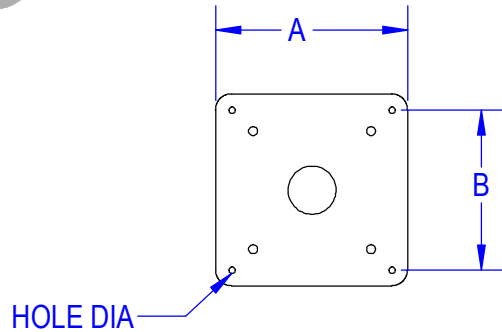


MOST COMMON AVAILABLE OPTIONS:

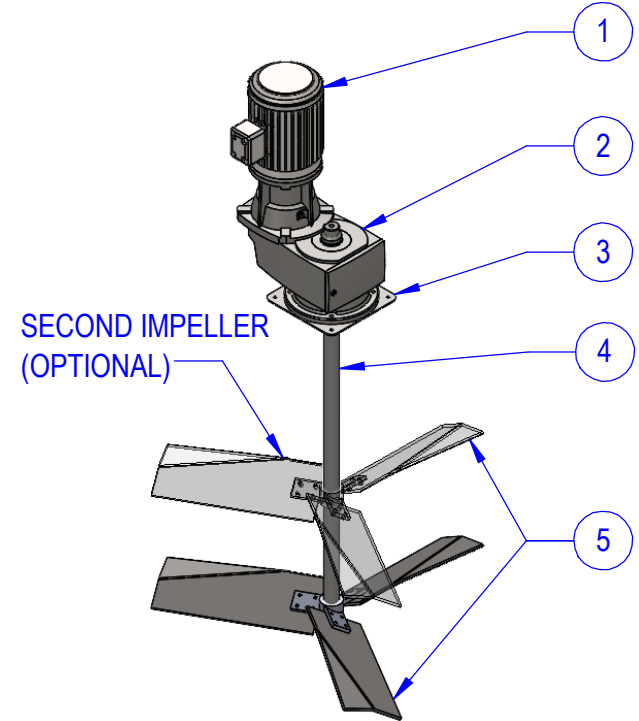
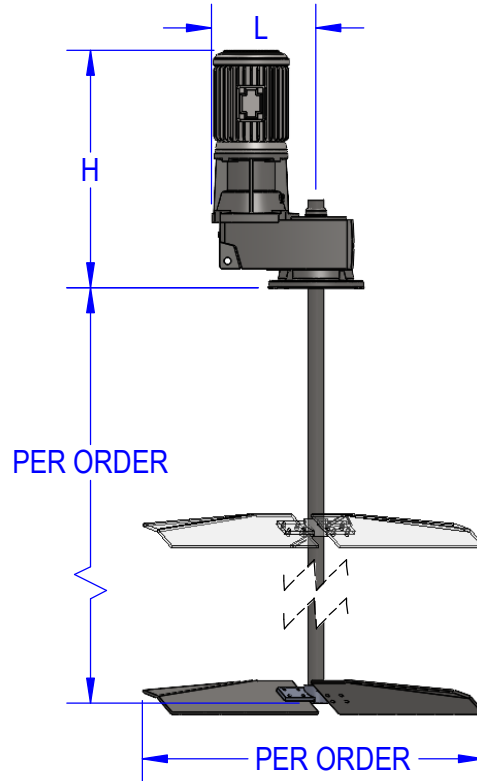
- SINGLE PHASE TEFC MOTOR
- 50Hz INVERTER DUTY MOTOR
- SANITARY MOTOR
- EXPLOSION PROOF MOTOR
- ALTERNATE IMPELLER SIZES AND TYPES
- SANITARY FINISHES

ITEM	DESCRIPTION
1	MOTOR - 230/460/60, THREE PHASE, TEFC STANDARD, INVERTER DUTY (10:1), PAINTED
2	GEARBOX - DOUBLE HELICAL DRIVE, OUTPUT SPEED PER ORDER, PAINTED FINISH
3	MOUNT - OPEN TANK PLATE MOUNT - 304SS
4	SHAFT - MATERIAL AND SIZE PER ORDER
5	IMPELLER - STAINLESS STEEL, SIZE, STYLE, & QTY PER ORDER

DIMENSIONS NOTED ARE APPROXIMATE AND ARE BASED ON STANDARD MIXER SELECTION. PLEASE CONTACT FUSION FOR EXACT DIMENSIONS.



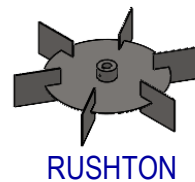
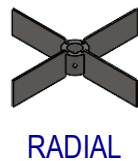
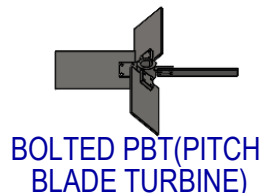
MOUNTING DETAIL



# BEARING HOUSING OPTIONS	
-0	STANDARD DUTY/STANDARD SPAN
-1	HEAVY DUTY/STANDARD SPAN
-2	SEVERE DUTY/VIRTUAL DRYWELL
-4	SEVERE DUTY WIDE SPAN/TRUE DRYWELL

DOUBLE REDUCTION										
	FG-0P-#	FG-1P-#	FG-2P-#	FG-3P-#	FG-4P-#	FG-5P-#	FG-6P-#	FG-7P-#	FG-8P-#	FG-9P-#
DIM A	8.50	8.50	10.00	10.00	12.00	14.00	16.00	20.00	23.75	28.00
DIM B	6.50	6.50	8.50	8.50	10.50	12.00	14.00	18.00	21.75	25.50
THICKNESS	0.18	1/4	3/4	3/4	3/4	3/4	3/4	3/4	1	1
HOLE DIA	0.40	0.40	0.61	0.61	0.61	0.73	0.73	0.73	0.73	0.91
DIM H	25.89	25.89	25.89	32.25	40.78	45.21	51.86	53.54	57.14	59.78
DIM L	9.39	9.39	10.38	11.6	12.7	16.77	18	19.35	21.06	25.16

TYPICAL IMPELLER OPTIONS



	NAME	DATE
DRAWN	DP	1/28/21
CHECKED	MB	1/28/21

PROPRIETARY AND CONFIDENTIAL
 THE INFORMATION CONTAINED IN THIS DRAWING IS THE SOLE PROPERTY OF FUSION FLUID EQUIPMENT LLC. ANY REPRODUCTION IN PART OR AS A WHOLE WITHOUT THE WRITTEN PERMISSION OF FUSION FLUID EQUIPMENT LLC IS PROHIBITED.

WHILE FUSION FLUID EQUIPMENT LLC STRIVES TO MAINTAIN THE INTEGRITY OF A DESIGN AS APPROVED, FUSION FLUID EQUIPMENT LLC RETAINS THE RIGHT TO MAKE MODIFICATIONS DURING THE MANUFACTURING PROCESS TO IMPROVE FIT, FORM, AND FUNCTION OF THE DESIGN WITHOUT CUSTOMER NOTIFICATION OR CONSENT.

UNLESS OTHERWISE SPECIFIED:
 DIMENSIONS ARE IN INCHES.
 NO TOLERANCE IS IMPLIED.
 DO NOT SCALE DRAWING



TITLE:
 FUSION FLOW FG-P
 TOP ENTRY PLATE MOUNT MIXER
 GEAR DRIVE OPEN TANK

SIZE	DWG. NO.	REV
A	SALES-FG-#P-#	B
SCALE: 1:64	WEIGHT:	SHEET 1 OF 1