

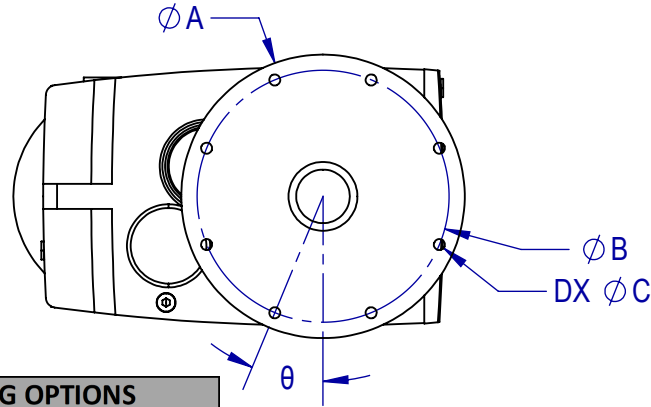


**MOST COMMON AVAILABLE OPTIONS:**

- SINGLE PHASE TEFC MOTOR ( $\leq 10$ HP)
- 50 Hz INVERTER DUTY MOTOR
- UP TO 250HP 3 PHASE MOTOR
- SANITARY MOTOR
- EXPLOSION PROOF MOTOR
- ALTERNATE IMPELLER SIZES AND TYPES
- SANITARY FINISHES

ITEM	DESCRIPTION
1	MOTOR - 230/460/60, 3 PHASE, TEFC STANDARD, INVERTER DUTY (10:1), PAINTED FINISH
2	GEARBOX - TWO STAGE HELICAL DRIVE, OUTPUT SPEED PER ORDER, CAST IRON, PAINTED FINISH
3	MOUNT - OPEN TANK MOUNT - SEE TABLE FOR DETAILS
4	SHAFT - LENGTH AND DIAMETER PER ORDER, 316SS TYP.
5	IMPELLER - SIZE, STYLE, & QTY PER ORDER, 316SS TYP.

**MOUNTING DETAIL**



**-# BEARING HOUSING OPTIONS**

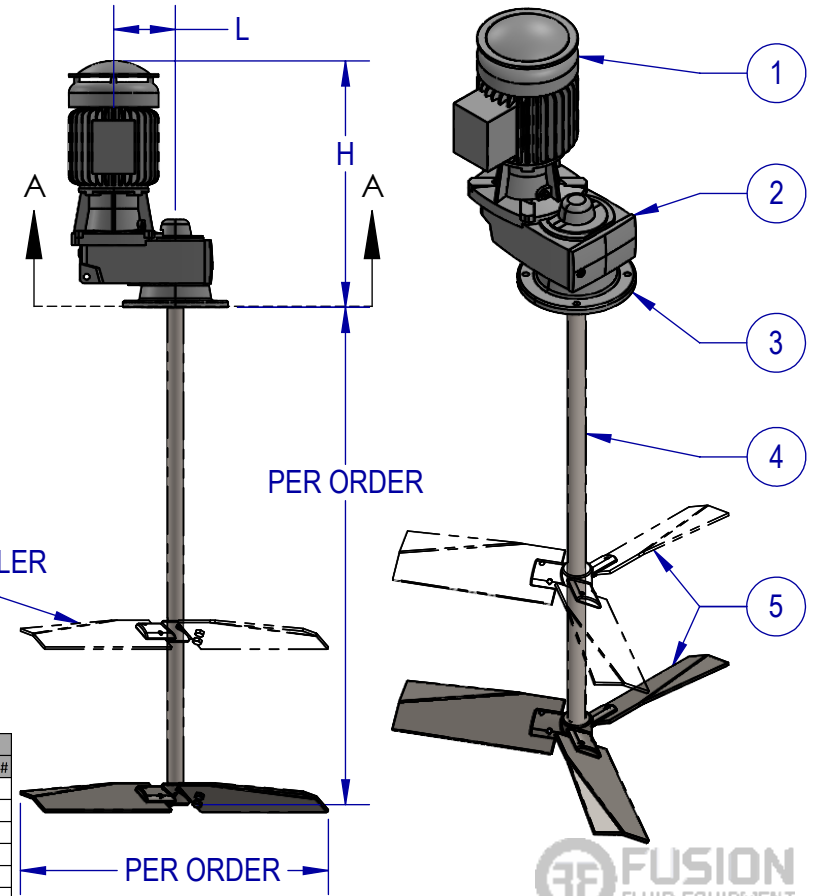
-1	HEAVY DUTY/STANDARD SPAN
-2	SPREAD BEARING
-3	SPREAD BEARING/VIRTUAL DRYWELL

DIMENSIONS NOTED ARE APPROXIMATE AND ARE BASED ON TYPICAL MIXER CONFIGURATION. MOTOR SELECTION WILL AFFECT OVERALL HEIGHT. PLEASE CONTACT FUSION FOR FURTHER DETAILS.

	DOUBLE REDUCTION													
DIM	FG-0M-#	FG-1M-#	FG-2M-#	FG-3M-#	FG-4M-#	FG-5M-#	FG-6M-#	FG-7M-#	FG-8M-#	FG-8.5M-#	FG-9M-#	FG-9.5M-#	FG-10.5M-#	FG-11.5M-#
DIM A (FLANGE)	6.30"	7.87"	9.84"	11.81"	11.81"	13.78"	17.72"	21.65"	21.65"	21.65"	25.98"	25.98"	25.98"	25.98"
DIM B (B.H.C. DIAMETER)	5.12"	6.50"	8.46"	10.43"	10.43"	11.81"	15.75"	19.69"	19.69"	19.69"	23.62"	23.62"	23.62"	23.62"
DIM C (BOLT HOLE DIA.)	0.35"	0.43"	0.53"	0.55"	0.55"	0.71"	0.69"	0.71"	0.71"	0.71"	0.87"	0.87"	1.02"	1.02"
DIM D (# OF HOLES)	4	4	4	4	4	4	8	8	8	8	8	8	8	8
DIM theta	45°	45°	45°	45°	45°	45°	22.5°	22.5°	22.5°	22.5°	22.5°	22.5°	22.5°	22.5°
DIM H	21.0"	21.3"	27.2"	28.2"	33.8"	39.0"	45.7"	48.4"	50.1"	50.1"	53.1"	53.1"	55.3"	62.9"
DIM L	4.1"	4.8"	5.8"	7.0"	8.1"	9.9"	11.1"	12.5"	14.2"	14.2"	18.3"	18.3"	20.7"	24.8"

**TYPICAL IMPELLER OPTIONS**

BOLTED PF3 HYDROFOIL	BOLTED PBT (PITCH BLADE TURBINE)	RADIAL	RUSHTON



SECOND IMPELLER (OPTIONAL)



	NAME	DATE
DRAWN	SB	5/23/22
CHECKED	MB	6/24/22

PROPRIETARY AND CONFIDENTIAL

THE INFORMATION CONTAINED IN THIS DRAWING IS THE SOLE PROPERTY OF FUSION FLUID EQUIPMENT LLC. ANY REPRODUCTION IN PART OR AS A WHOLE WITHOUT THE WRITTEN PERMISSION OF FUSION FLUID EQUIPMENT LLC IS PROHIBITED.

UNLESS OTHERWISE SPECIFIED: DIMENSIONS ARE IN INCHES. NO TOLERANCES IMPLIED. DO NOT SCALE DRAWING.

TITLE:		REV	
FUSION FLOW FG-M		B	
TOP ENTRY CIRCULAR MOUNT MIXER GEAR DRIVE OPEN TANK			
SIZE	DWG. NO.	REV	
A	SALES-FG-#M-#	B	
SCALE: 1:18	WEIGHT:	SHEET 1 OF 1	