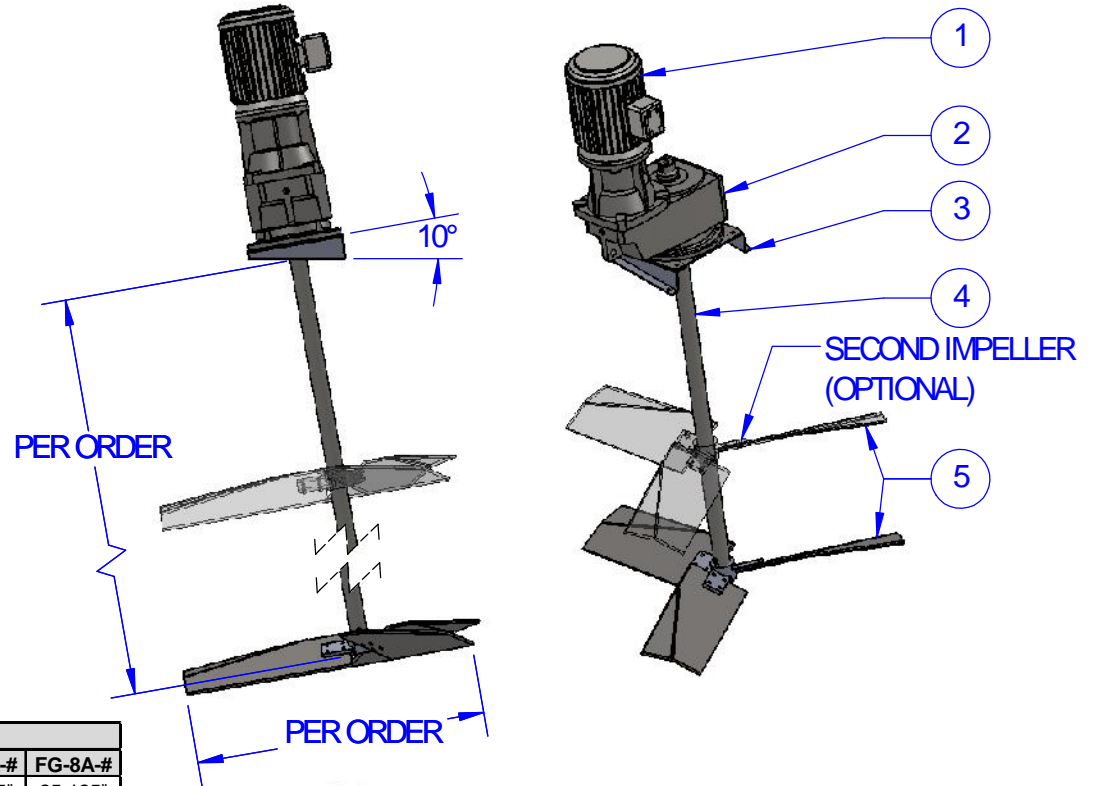
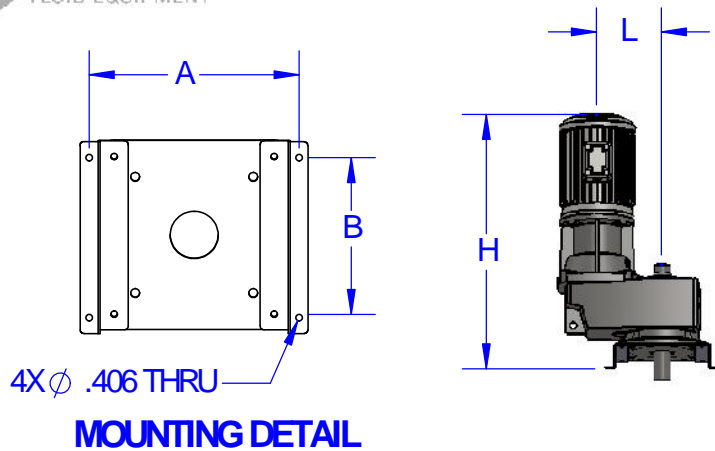


**MOST COMMON AVAILABLE OPTIONS:**

- SINGLE PHASE TEFC MOTOR
- 50Hz INVERTER DUTY MOTOR
- SANITARY MOTOR
- EXPLOSION PROOF MOTOR
- ALTERNATE IMPELLER SIZES AND TYPES
- SANITARY FINISHES

ITEM	DESCRIPTION
1	MOTOR - 230/460/60, THREE PHASE, TEFC STANDARD, INVERTER DUTY (10:1), PAINTED FINISH
2	GEARBOX - DOUBLE HELICAL DRIVE, OUTPUT SPEED PER ORDER, PAINTED FINISH
3	MOUNT - OPEN TANK ANGLE MOUNT - 304SS
4	SHAFT - MATERIAL AND SIZE PER ORDER
5	IMPELLER - STAINLESS STEEL, SIZE, STYLE, & QTY PER ORDER

DIMENSIONS NOTED ARE APPROXIMATE AND ARE BASED ON STANDARD MIXER SELECTION. PLEASE CONTACT FUSION FOR EXACT DIMENSIONS.



# BEARING HOUSING OPTIONS	
-0	STANDARD DUTY/STANDARD SPAN
-1	HEAVY DUTY/STANDARD SPAN
-2	SEVERE DUTY/VIRTUAL DRYWELL
-4	SEVERE DUTY WIDE SPAN/TRUE DRYWELL

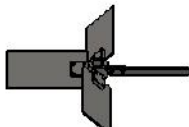
DOUBLE REDUCTION								
DIM	FG-1A-#	FG-2A-#	FG-3A-#	FG-4A-#	FG-5A-#	FG-6A-#	FG-7A-#	FG-8A-#
DIM A	11.125"	13.125"	13.125"	15.125"	17.125"	17.125"	19.125"	25.125"
DIM B	8.00"	10.00"	10.00"	12.00"	14"	14"	16"	22"
DIM H	20.20"	23.50"	31.00"	32.50"	44.00"	44.00"	46.00"	49.00"
DIM L	4.80"	5.79"	7.01"	8.11"	9.88"	11.08"	12.46"	14.17"



**TYPICAL IMPELLER OPTIONS**



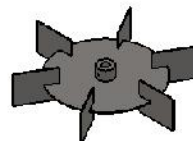
**BOLTED PF3 HYDROFOIL**



**BOLTED PBT (PITCH BLADE TURBINE)**



**RADIAL**



**RUSHTON**

	NAME	DATE
DRAWN	JDF	5/29/15
CHECKED	PIC	5/29/15

**PROPRIETARY AND CONFIDENTIAL**

THE INFORMATION CONTAINED IN THIS DRAWING IS THE SOLE PROPERTY OF FUSION FLUID EQUIPMENT LLC. ANY REPRODUCTION IN PART OR AS A WHOLE WITHOUT THE WRITTEN PERMISSION OF FUSION FLUID EQUIPMENT LLC IS PROHIBITED.

WHILE FUSION FLUID EQUIPMENT LLC STRIVES TO MAINTAIN THE INTEGRITY OF A DESIGN AS APPROVED, FUSION FLUID EQUIPMENT LLC RETAINS THE RIGHT TO MAKE MODIFICATIONS DURING THE MANUFACTURING PROCESS TO IMPROVE FIT, FORM, AND FUNCTION OF THE DESIGN WITHOUT CUSTOMER NOTIFICATION OR CONSENT.

UNLESS OTHERWISE SPECIFIED: DIMENSIONS ARE IN INCHES. NO TOLERANCE IS IMPLIED. DO NOT SCALE DRAWING



**TITLE:**  
FUSION FLOW FG-A  
TOP ENTRY ANGLE MOUNT MIXER  
GEAR DRIVE OPEN TANK

SIZE	DWG. NO.	REV
<b>A</b>	SALES-FG-#A-#	<b>A</b>
SCALE: 1:64 WEIGHT:		SHEET 1 OF 1