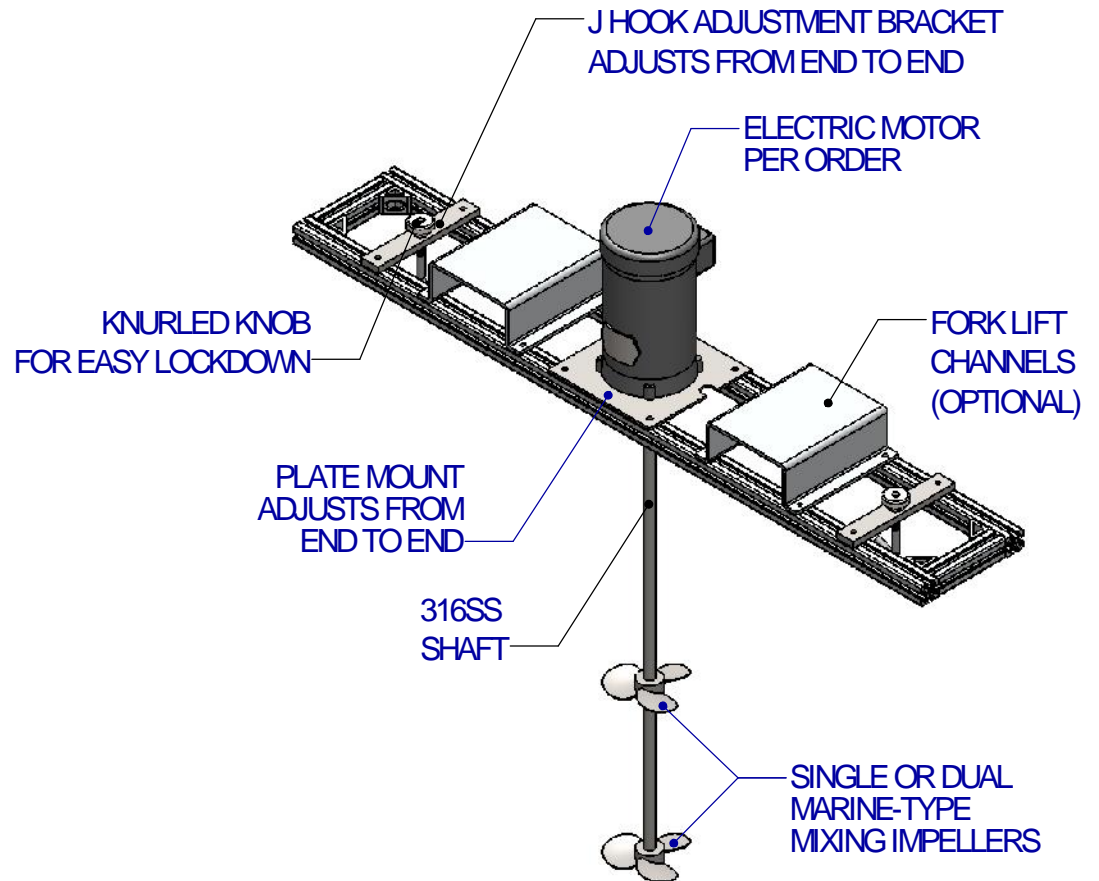
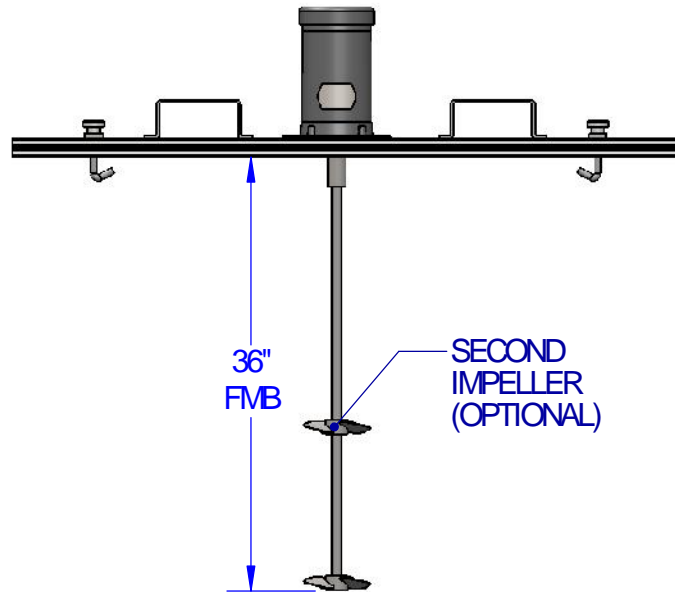


## STANDARD FEATURES

- PAINTED THREE PHASE 220/440/60 ELECTRIC MOTOR
- ADJUSTABLE BRIDGE MOUNT
- 316SS WETTED PARTS
- 3/4" X 36" FMB SHAFT STANDARD
- SINGLE OR DUAL MARINE-TYPE IMPELLERS WITH SET SCREW ATTACHMENT



## OPTIONAL FEATURES

- SINGLE PHASE TEFC MOTOR
- EXPLOSION PROOF MOTOR
- ALTERNATE IMPELLER SIZES AND TYPES
- ALL STAINLESS STEEL UPGRADE WITH STAINLESS MOTOR, STAINLESS BRIDGE MOUNT & STAINLESS FASTENERS
- SANITARY FINISHES
- FORKLIFT CHANNELS
- FLOATING TOTE CAP WITH LIP SEAL

## BRIDGE MOUNT TOTE MIXERS MOUNT TO CAGE STYLE TOTES UP TO 52" WIDE

EST WT: 65-91 LBS (DEPENDING ON HP AND OPTIONS)

	NAME	DATE
DRAWN	JM	6/08/15
CHECKED	PIC	11/27/13

PROPRIETARY AND CONFIDENTIAL

THE INFORMATION CONTAINED IN THIS DRAWING IS THE SOLE PROPERTY OF FUSION FLUID EQUIPMENT LLC. ANY REPRODUCTION IN PART OR AS A WHOLE WITHOUT THE WRITTEN PERMISSION OF FUSION FLUID EQUIPMENT LLC IS PROHIBITED.

WHILE FUSION FLUID EQUIPMENT LLC STRIVES TO MAINTAIN THE INTEGRITY OF A DESIGN AS APPROVED, FUSION FLUID EQUIPMENT LLC RETAINS THE RIGHT TO MAKE MODIFICATIONS DURING THE MANUFACTURING PROCESS TO IMPROVE FIT, FORM, AND FUNCTION OF THE DESIGN WITHOUT CUSTOMER NOTIFICATION OR CONSENT.

UNLESS OTHERWISE SPECIFIED:  
DIMENSIONS ARE IN INCHES.  
NO TOLERANCE IS IMPLIED.  
DO NOT SCALE DRAWING



TITLE: BRIDGE MOUNT TOTE MIXER DIRECT DRIVE ELECTRIC

SIZE	DWG. NO.	REV
A	SALES-BD-#T-#	A
SCALE: 1:16	WEIGHT:	SHEET 1 OF 1