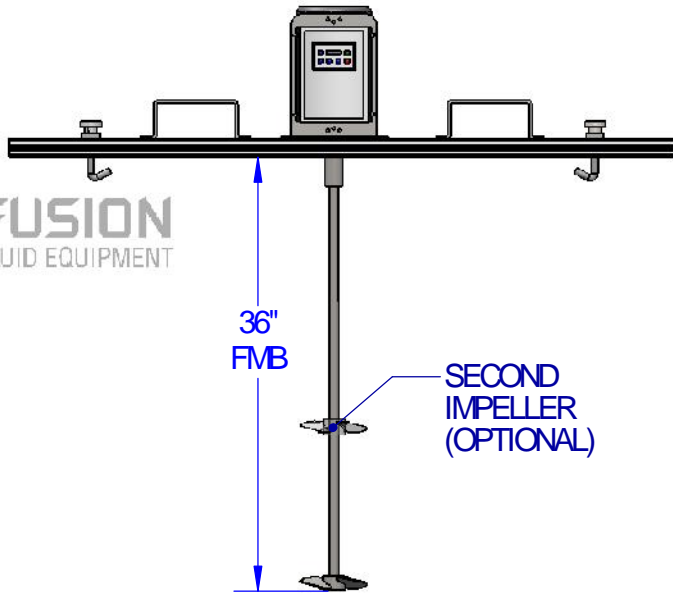


STANDARD FEATURES:

- PAINTED, THREE PHASE, TEFC, 208-230/460/60 ELECTRIC MOTOR (PER ORDER)
- ADJUSTABLE BRIDGE MOUNT
- 316SS WETTED PARTS
- 3/4" X 36" FMB SHAFT STANDARD
- SINGLE OR DUAL MARINE-TYPE IMPELLERS WITH SET SCREW ATTACHMENT
- ANALOG SPEED CONTROL (VFD)

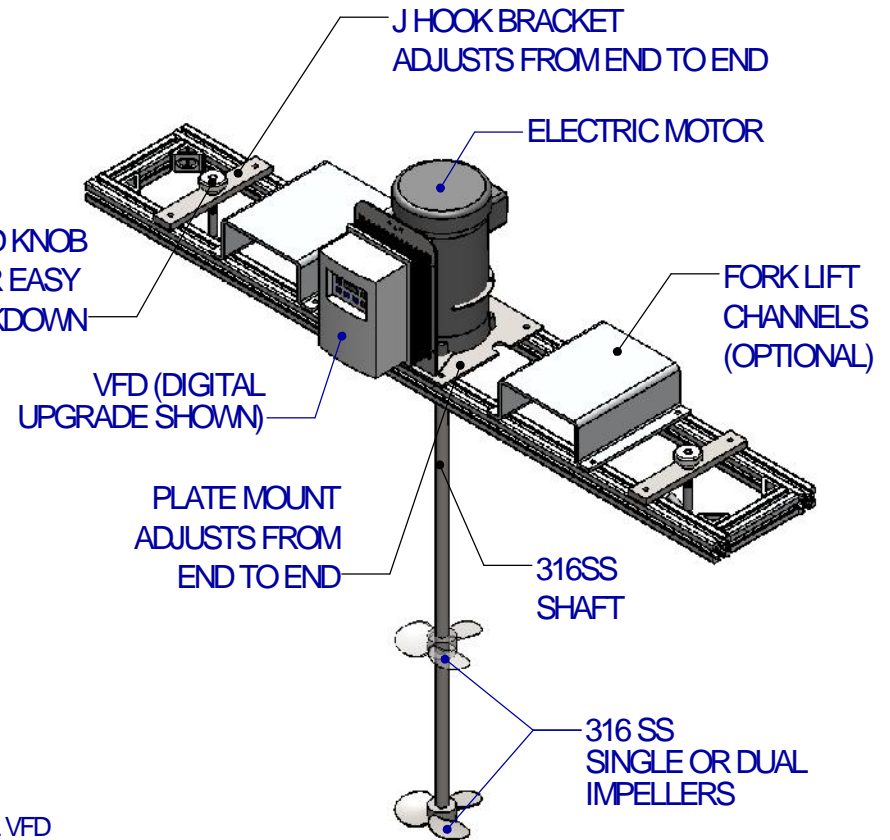
SPEED TABLE	
1750 RPM	STANDARD
1150 RPM	OPTIONAL
3600 RPM	OPTIONAL



OPTIONAL FEATURES:

- SINGLE PHASE INPUT
- VARIOUS IMPELLER SIZES, STYLES, & QTY
- ALL STAINLESS STEEL UPGRADE WITH STAINLESS MOTOR, MOUNT & FASTENERS
- SANITARY FINISHES
- FORK LIFT CHANNELS
- FLOATING TOTE CAP WITH LIP SEAL
- DIGITAL SPEED CONTROL (VFD)

ANALOG VFD (STANDARD) DIGITAL VFD (UPGRADE)



BRIDGE MOUNT TOTE MIXERS MOUNT TO CAGE STYLE TOTES UP TO 52" WIDE

EST WT: 65-91 LBS (DEPENDING ON HP AND OPTIONS)

	NAME	DATE
DRAWN	JM	6/08/15
CHECKED	PIC	11/27/13

PROPRIETARY AND CONFIDENTIAL
 THE INFORMATION CONTAINED IN THIS DRAWING IS THE SOLE PROPERTY OF FUSION FLUID EQUIPMENT LLC. ANY REPRODUCTION IN PART OR AS A WHOLE WITHOUT THE WRITTEN PERMISSION OF FUSION FLUID EQUIPMENT LLC IS PROHIBITED.

WHILE FUSION FLUID EQUIPMENT LLC STRIVES TO MAINTAIN THE INTEGRITY OF A DESIGN AS APPROVED, FUSION FLUID EQUIPMENT LLC RETAINS THE RIGHT TO MAKE MODIFICATIONS DURING THE MANUFACTURING PROCESS TO IMPROVE FIT, FORM, AND FUNCTION OF THE DESIGN WITHOUT CUSTOMER NOTIFICATION OR CONSENT.

UNLESS OTHERWISE SPECIFIED:
 DIMENSIONS ARE IN INCHES.
 NO TOLERANCE IS IMPLIED.
 DO NOT SCALE DRAWING

TITLE: BRIDGE MOUNT TOTE MIXER DIRECT DRIVE ELECTRIC WITH VFD		
SIZE A	DWG. NO. SALES-BD-#T-#-V#	REV A
SCALE: 1:16	WEIGHT:	SHEET 1 OF 1