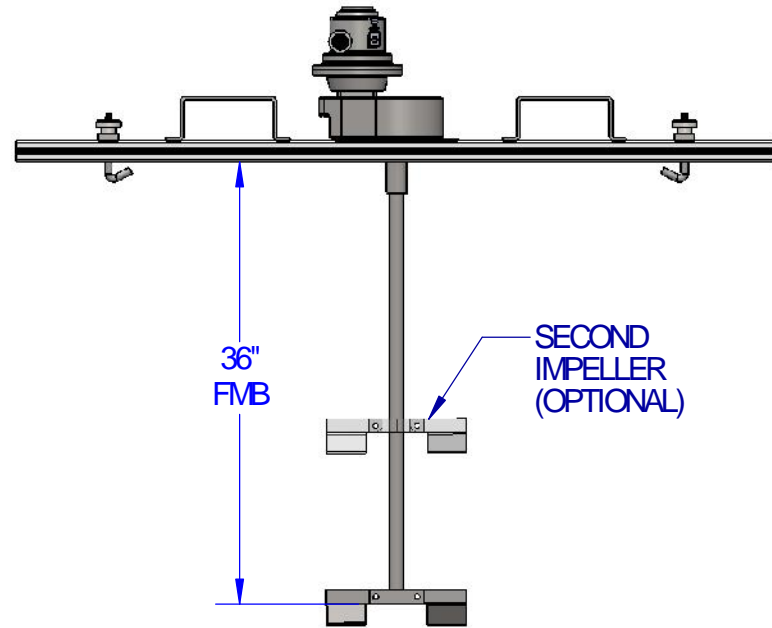


**STANDARD FEATURES:**

- PAINTED AIR MOTOR WITH MUFFLER
- HELICAL GEARBOX - 5:1 REDUCTION RATIO  
350 RPM NOMINAL OUTPUT
- ADJUSTABLE BRIDGE MOUNT
- 316SS WETTED PARTS
- 1" X 36" FMB SHAFT STANDARD
- SINGLE OR DUAL FOLDING IMPELLERS  
WITH SET SCREW ATTACHMENT
- SPEED CONTROL VALVE



**OPTIONAL FEATURES**

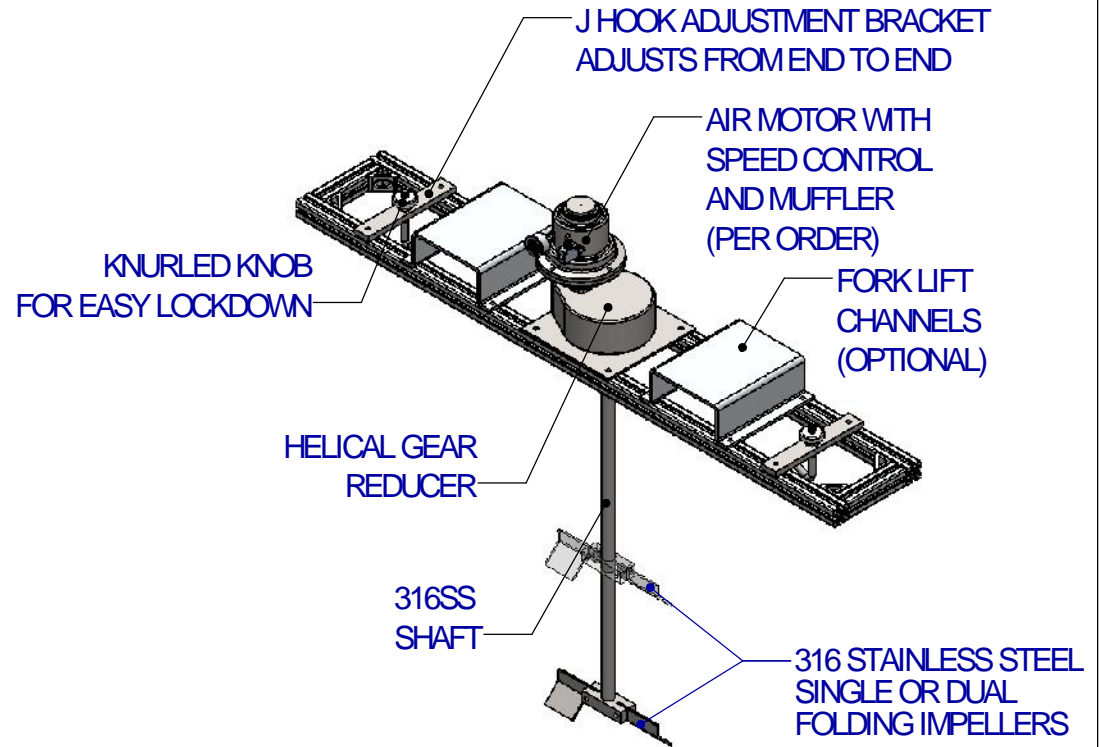
- FILTER/REGULATOR/LUBRICATOR
- VARIOUS IMPELLER TYPES AND SIZES
- ALL STAINLESS STEEL UPGRADE WITH STAINLESS MOTOR,  
STAINLESS BRIDGE MOUNT & STAINLESS FASTENERS
- FORKLIFT CHANNELS
- 32 RA SANITARY FINISH ON WETTED PARTS
- FLOATING TOTE CAP WITH LIP SEAL

**BRIDGE MOUNT TOTE MIXERS MOUNT TO  
CAGE STYLE TOTES UP TO 52" WIDE**

EST WT: 70-86 LBS (DEPENDING ON HP AND OPTIONS)

**AIR CONSUMPTION**

1 HP	40 CFM @ 80 PSI
2 HP	60 CFM @ 70 PSI
3 HP	90 CFM @ 100 PSI



	NAME	DATE
DRAWN	JM	6/09/15
CHECKED	PIC	

**PROPRIETARY AND CONFIDENTIAL**

THE INFORMATION CONTAINED IN THIS DRAWING IS THE SOLE PROPERTY OF FUSION FLUID EQUIPMENT LLC. ANY REPRODUCTION IN PART OR AS A WHOLE WITHOUT THE WRITTEN PERMISSION OF FUSION FLUID EQUIPMENT LLC IS PROHIBITED.

WHILE FUSION FLUID EQUIPMENT LLC STRIVES TO MAINTAIN THE INTEGRITY OF A DESIGN AS APPROVED, FUSION FLUID EQUIPMENT LLC RETAINS THE RIGHT TO MAKE MODIFICATIONS DURING THE MANUFACTURING PROCESS TO IMPROVE FIT, FORM, AND FUNCTION OF THE DESIGN WITHOUT CUSTOMER NOTIFICATION OR CONSENT.

UNLESS OTHERWISE SPECIFIED:  
DIMENSIONS ARE IN INCHES.  
NO TOLERANCE IS IMPLIED.  
DO NOT SCALE DRAWING



TITLE: **BRIDGE MOUNT TOTE MIXER  
GEAR DRIVE AIR MOTOR**

SIZE	DWG. NO.	REV
A	SALES-BGA-#T	A

SCALE: 1:12	WEIGHT:	SHEET 1 OF 1
-------------	---------	--------------