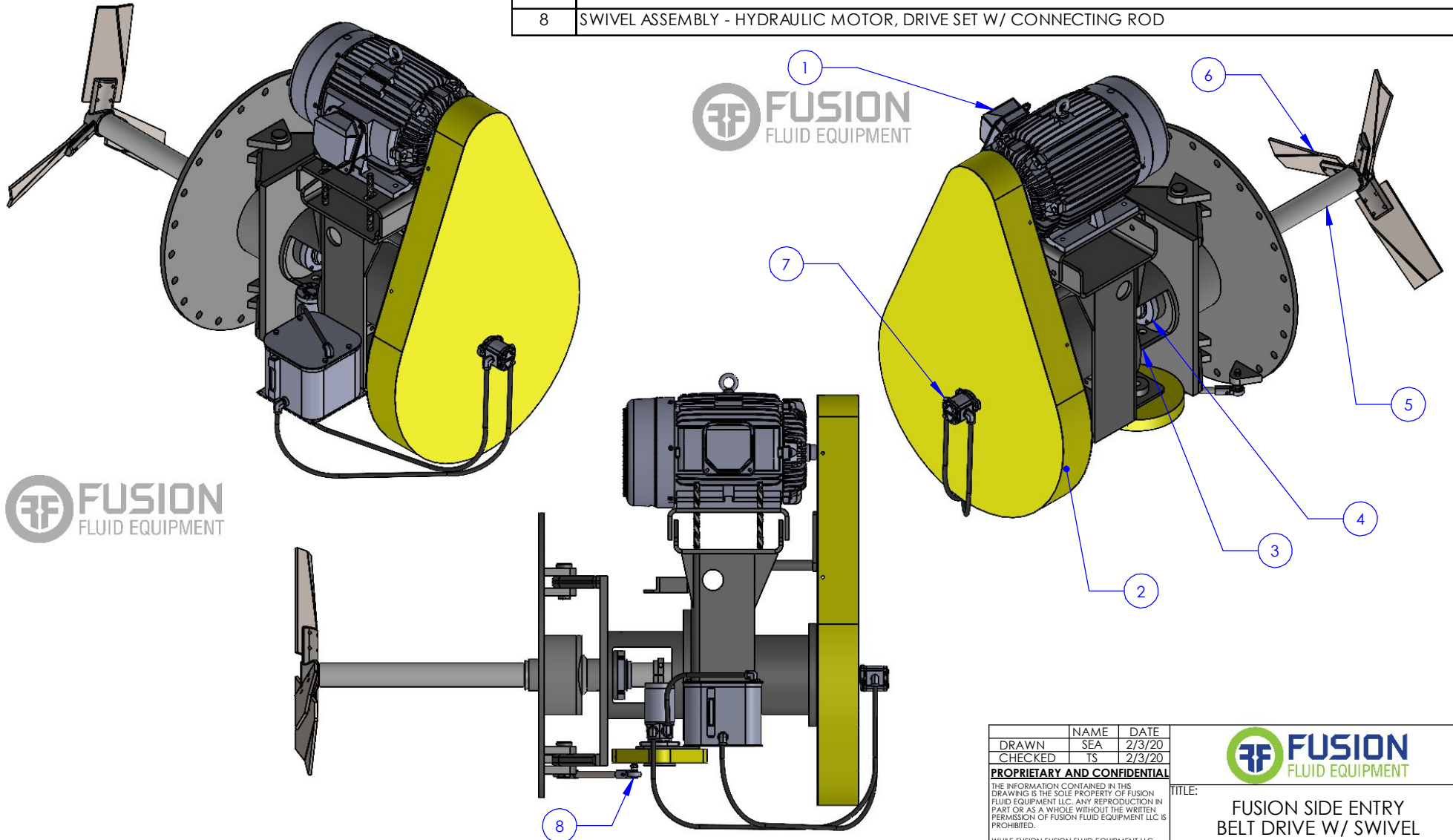


MOST COMMON AVAILABLE OPTIONS

- EXPLOSION PROOF MOTOR
- LEAK DETECTION
- SINGLE OR DOUBLE MECHANICAL SEALS
- ALTERNATE IMPELLER SIZES AND TYPES
- AUTOMATIC SWIVEL FUNCTION (30° EACH WAY)

ITEM:	DESCRIPTION:
1	MOTOR
2	DRIVE - V-BELT, 350 NOMINAL RPM, PAINTED STEEL FRAME
3	PEDESTAL - CARBON STEEL (OR SS), MANWAY MOUNT (PER ORDER), MECHANICAL SEAL GLAND
4	SEAL - SINGLE OR DOUBLE MECHANICAL CARTRIDGE STYLE
5	SHAFT - INDUSTRIAL / MILL FINISH STANDARD, WIDE RANGE OF ALLOYS
6	IMPELLER - PF3 HYDROFOIL, DIA PER ORDER, WELDED OR BOLTED ASSEMBLY, 316 STAINLESS (OR OTHER ALLOYS)
7	PUMP - HYDRAULIC PUMP FOR SWIVEL MOVEMENT
8	SWIVEL ASSEMBLY - HYDRAULIC MOTOR, DRIVE SET W/ CONNECTING ROD



	NAME	DATE
DRAWN	SEA	2/3/20
CHECKED	TS	2/3/20

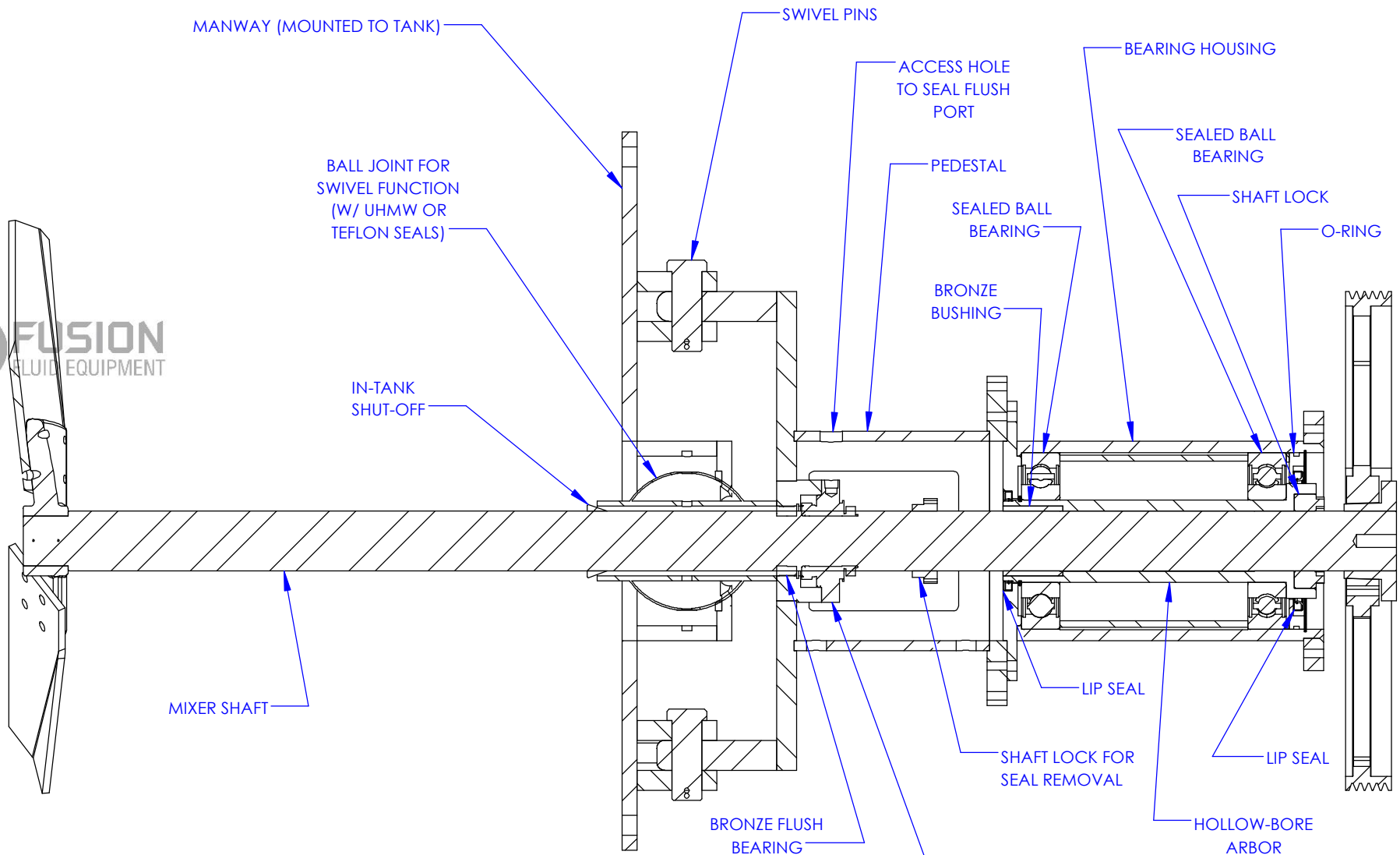
PROPRIETARY AND CONFIDENTIAL

THE INFORMATION CONTAINED IN THIS DRAWING IS THE SOLE PROPERTY OF FUSION FLUID EQUIPMENT LLC. ANY REPRODUCTION IN PART OR AS A WHOLE WITHOUT THE WRITTEN PERMISSION OF FUSION FLUID EQUIPMENT LLC IS PROHIBITED.

WHILE FUSION FLUID EQUIPMENT LLC STRIVES TO MAINTAIN THE INTEGRITY OF A DESIGN AS APPROVED, FUSION FLUID EQUIPMENT LLC RETAINS THE RIGHT TO MAKE MODIFICATIONS DURING THE MANUFACTURING PROCESS TO IMPROVE FIT, FORM, AND FUNCTION OF THE DESIGN WITHOUT CUSTOMER NOTIFICATION OR CONSENT.

UNLESS OTHERWISE SPECIFIED:
DIMENSIONS ARE IN INCHES.
NO TOLERANCE IS IMPLIED.
DO NOT SCALE DRAWING

TITLE: FUSION SIDE ENTRY BELT DRIVE W/ SWIVEL		
SIZE A	DWG. NO. SALES-CSV-#S-##	REV A
SCALE: 1:18	WEIGHT:	SHEET 1 OF 3



SECTION D-D

UNLESS OTHERWISE SPECIFIED:
 DIMENSIONS ARE IN INCHES.
 NO TOLERANCE IS IMPLIED.
 DO NOT SCALE DRAWING

	NAME	DATE
DRAWN	SEA	2/3/20
CHECKED	TS	2/3/20

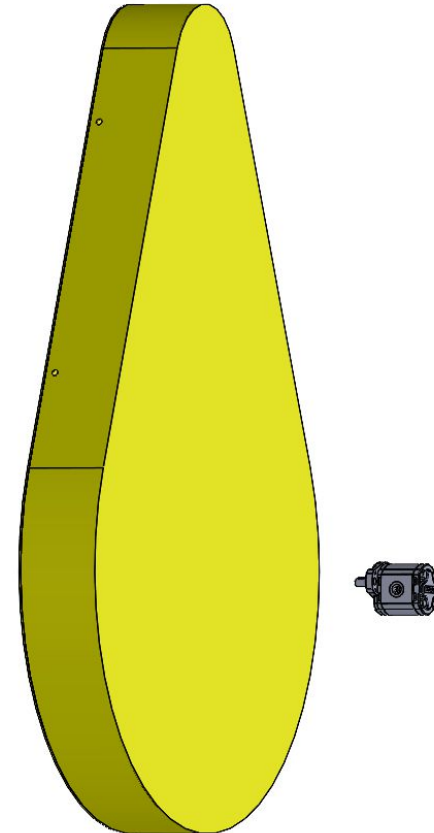
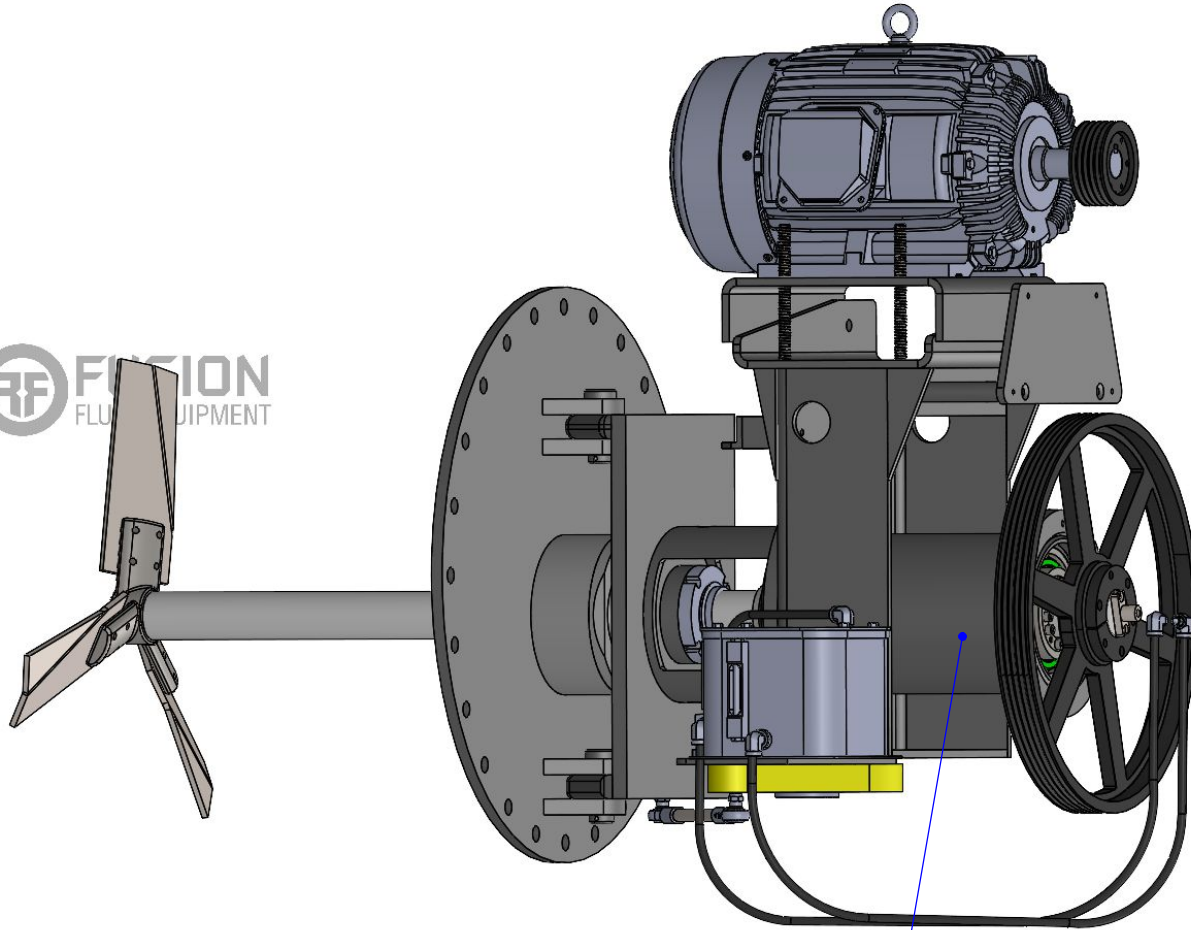
PROPRIETARY AND CONFIDENTIAL

THE INFORMATION CONTAINED IN THIS DRAWING IS THE SOLE PROPERTY OF FUSION FLUID EQUIPMENT LLC. ANY REPRODUCTION IN PART OR AS A WHOLE WITHOUT THE WRITTEN PERMISSION OF FUSION FLUID EQUIPMENT LLC IS PROHIBITED.

WHILE FUSION FLUID EQUIPMENT LLC STRIVES TO MAINTAIN THE INTEGRITY OF A DESIGN AS APPROVED, FUSION FLUID EQUIPMENT LLC RETAINS THE RIGHT TO MAKE MODIFICATIONS DURING THE MANUFACTURING PROCESS TO IMPROVE FIT, FORM, AND FUNCTION OF THE DESIGN WITHOUT CUSTOMER NOTIFICATION OR CONSENT.



TITLE: FUSION SIDE ENTRY BELT DRIVE W/ SWIVEL		
SIZE A	DWG. NO. SALES-CSV-#S-##	REV A
SCALE: 1:7.5	WEIGHT:	SHEET 2 OF 3



REMOVAL OF THE PUMP, AND BELT COVER ALLOW ACCESS TO REMOVE THE BEARING HOUSING FOR REPAIRS OR REPLACEMENT

REMOVAL OF THE BEARING HOUSING IS NECESSARY TO REPLACE THE MECHANICAL SEAL AND CAN BE DONE WITHOUT DISMOUNTING THE MIXER FROM THE TANK, OR DRAINING THE TANK



	NAME	DATE
DRAWN	SEA	2/3/20
CHECKED	TS	2/3/20

PROPRIETARY AND CONFIDENTIAL

THE INFORMATION CONTAINED IN THIS DRAWING IS THE SOLE PROPERTY OF FUSION FLUID EQUIPMENT LLC. ANY REPRODUCTION IN PART OR AS A WHOLE WITHOUT THE WRITTEN PERMISSION OF FUSION FLUID EQUIPMENT LLC IS PROHIBITED.

WHILE FUSION FLUID EQUIPMENT LLC STRIVES TO MAINTAIN THE INTEGRITY OF A DESIGN AS APPROVED, FUSION FLUID EQUIPMENT LLC RETAINS THE RIGHT TO MAKE MODIFICATIONS DURING THE MANUFACTURING PROCESS TO IMPROVE FIT, FORM, AND FUNCTION OF THE DESIGN WITHOUT CUSTOMER NOTIFICATION OR CONSENT.

UNLESS OTHERWISE SPECIFIED:
DIMENSIONS ARE IN INCHES.
NO TOLERANCE IS IMPLIED.
DO NOT SCALE DRAWING



TITLE: FUSION SIDE ENTRY BELT DRIVE W/ SWIVEL		
SIZE A	DWG. NO. SALES-CSV-#S-##	REV A
SCALE: 1:12	WEIGHT:	SHEET 3 OF 3