

**MOST COMMON AVAILABLE OPTIONS:**

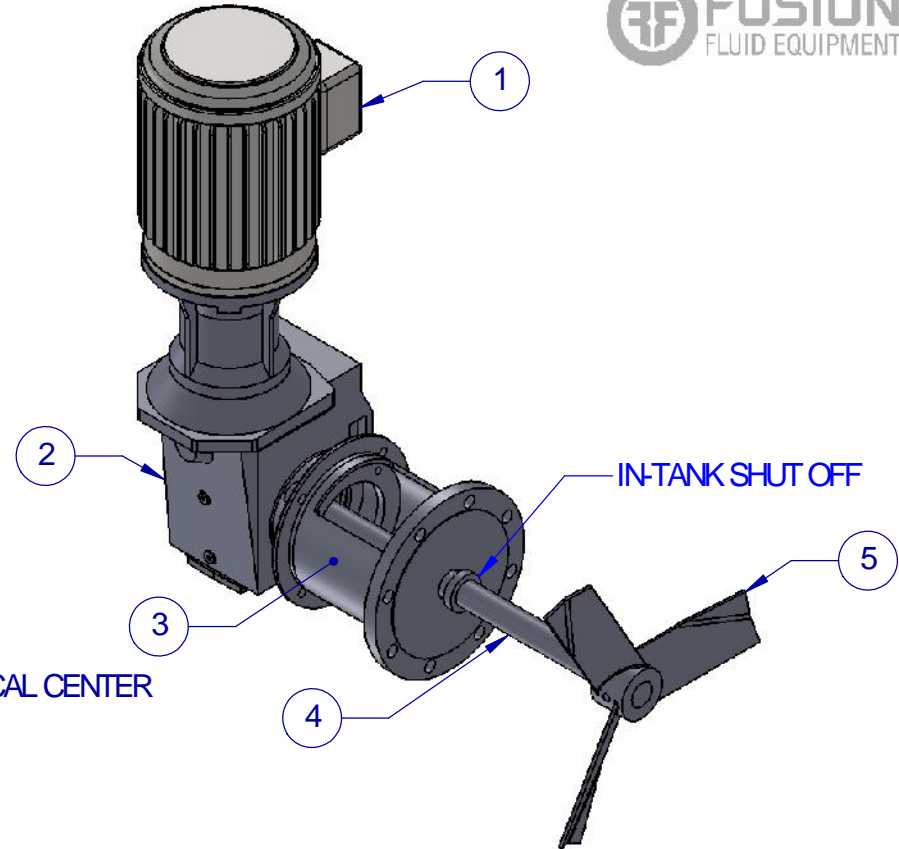
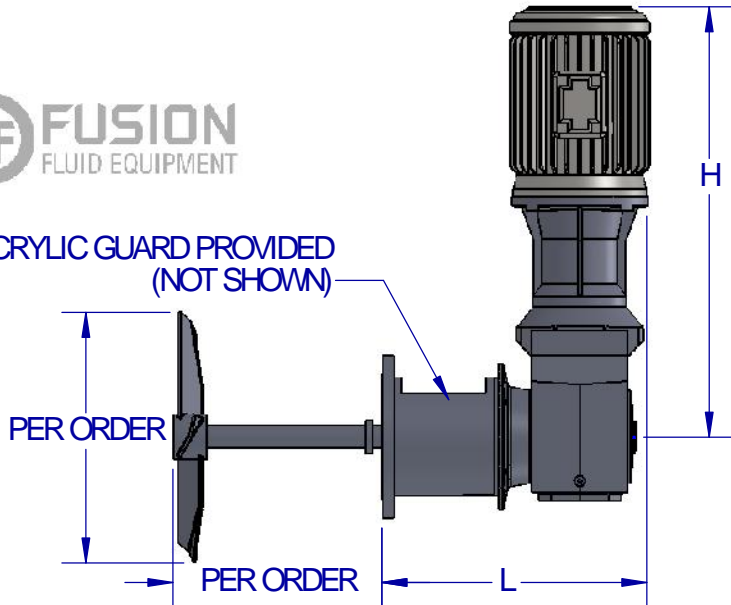
- SINGLE PHASE TEFC MOTOR
- SANITARY MOTOR
- EXPLOSION PROOF MOTOR
- ALTERNATE SEALING OPTIONS
- HIGH PRESSURE STUFFING BOX, SINGLE OR DOUBLE MECHANICAL SEALS
- ALTERNATE IMPELLER SIZES AND TYPES
- SANITARY FINISHES

ITEM	DESCRIPTION
1	MOTOR - 230/460/60, THREE PHASE, TEFC STANDARD, INVERTER DUTY (10:1), PAINTED FINISH
2	GEARBOX - HELICAL/BEVEL, OUTPUT SPEED PER ORDER, PAINTED FINISH
3	PEDESTAL - MOUNTING/ SEAL PER ORDER
4	SHAFT - MATERIAL AND SIZE PER ORDER
5	IMPELLER - STAINLESS STEEL, SIZE, STYLE, AND QTY PER ORDER

DIMENSIONS NOTED ARE APPROXIMATE AND ARE BASED ON STANDARD MIXER SELECTION. PLEASE CONTACT FUSION FOR EXACT DIMENSIONS.



ACRYLIC GUARD PROVIDED (NOT SHOWN)



**MOUNTING DATA:**

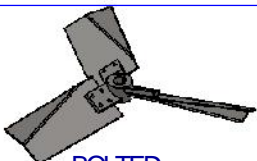
UTILIZES STANDARD HOLES FOR ANSI RF LANGE BOLTS HOLES STRADDLE VERTICAL CENTER

DOUBLE REDUCTION					
DIM	FR2-1M	FR2-2M	FR2-3M	FR2-4M	FR2-5M
DIM H	20.72"	20.62"	25.14"	31.61"	30.74"
DIM L	22.48"	22.93"	25.31"	25.43"	26.06"

TRIPLE REDUCTION					
DIM	FR3-1M	FR3-2M	FR3-3M	FR3-4M	FR3-5M
DIM H	25.26"	26.17"	30.96"	39.07"	43.80"
DIM L	25.04"	25.87"	26.50"	27.09"	30.80"

SEAL TYPE	NOTES
STUFFING BOX	HIGH PRESSURE(150 PSI) GRAPHITE/TEFLON PACKING
MECHANICAL SEAL	SINGLE, DOUBLE, FLOWSERVE, ROPLAN, CHESTERTON, FLEX, & MORE

**TYPICAL IMPELLER OPTIONS**



BOLTED PF3 HYDROFOIL



ONE PIECE PF3 HYDROFOIL



MARINE PROP



PV3 PROP

	NAME	DATE
DRAWN	JDF	12/11/13
CHECKED	PIC	12/11/13

PROPRIETARY AND CONFIDENTIAL

THE INFORMATION CONTAINED IN THIS DRAWING IS THE SOLE PROPERTY OF FUSION FLUID EQUIPMENT LLC. ANY REPRODUCTION IN PART OR AS A WHOLE WITHOUT THE WRITTEN PERMISSION OF FUSION FLUID EQUIPMENT LLC IS PROHIBITED.

UNLESS OTHERWISE SPECIFIED: DIMENSIONS ARE IN INCHES. NO TOLERANCE IS IMPLIED. DO NOT SCALE DRAWING



TITLE: FUSION FLOW FR-S SIDE ENTRY FLANGE MOUNT MIXER HELICAL/BEVEL DRIVE CLOSED TANK		
SIZE A	DWG. NO. SALES-FR#-#S-#	REV A
SCALE: 1:12	WEIGHT:	SHEET 1 OF 1