

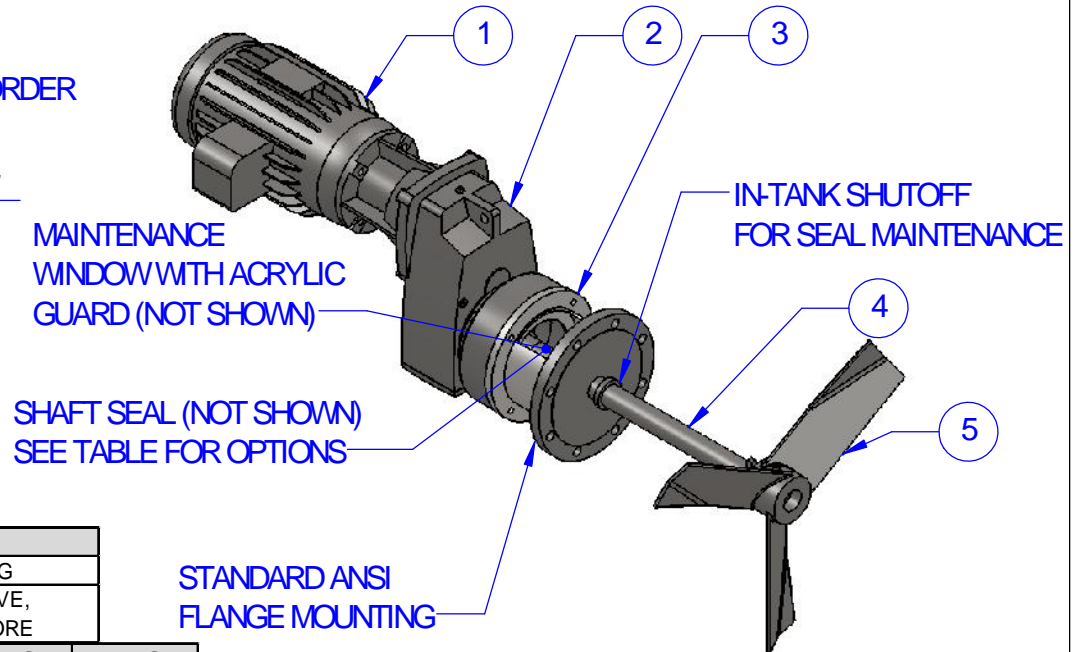
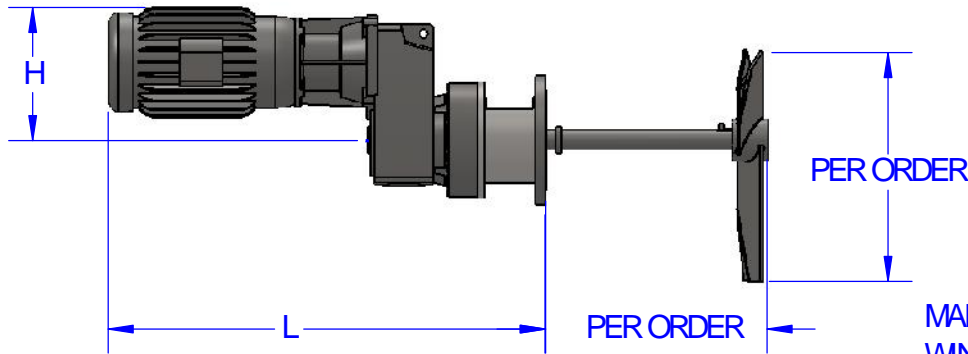
MOST COMMON AVAILABLE OPTIONS:

- SINGLE PHASE TEFC MOTOR
- SANITARY MOTOR
- EXPLOSION PROOF MOTOR
- ALTERNATE SEALING OPTIONS
- HIGH PRESSURE STUFFING BOX, SINGLE OR DOUBLE MECHANICAL SEALS
- ALTERNATE IMPELLER SIZES AND TYPES
- SANITARY FINISHES



ITEM	DESCRIPTION
1	MOTOR - 230/460/60, THREE PHASE, TEFC STANDARD, INVERTER DUTY (10:1), PAINTED FINISH
2	GEARBOX - DOUBLE HELICAL, OUTPUT SPEED PER ORDER, PAINTED FINISH
3	PEDESTAL - MOUNTING/SEAL PER ORDER
4	SHAFT - MATERIAL AND SIZE PER ORDER
5	IMPELLER - STAINLESS STEEL, SIZE, STYLE, & QTY PER ORDER

DIMENSIONS NOTED ARE APPROXIMATE AND ARE BASED ON STANDARD MIXER SELECTION. PLEASE CONTACT FUSION FOR EXACT DIMENSIONS.

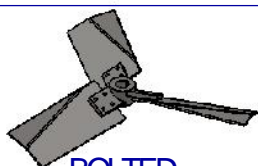


# BEARING HOUSING OPTIONS	
-0	STANDARD DUTY/STANDARD SPAN
-1	HEAVY DUTY/STANDARD SPAN
-2	SEVERE DUTY/VIRTUAL DRYWELL
-4	SEVERE DUTY WIDE SPAN/TRUE DRYWELL

SEAL TYPE	NOTES
HIGH PRESSURE STUFFING BOX (150 PSI)	GRAPHITE/TEFLON PACKING
MECHANICAL SEAL	SINGLE, DOUBLE, FLOWSERVE, CHESTERTON, ROPLAN, & MORE

DIM	FG-1S-#	FG-2S-#	FG-3S-#	FG-4S-#	FG-5S-#	FG-6S-#	FG-7S-#	FG-8S-#
DIM L	26.20"	29.50"	37.00"	38.50"	44.50"	50.00"	54.00"	57.00"
DIM H	8.73"	10.57"	11.79"	14.58"	17.19"	20.83"	22.21"	23.92"

TYPICAL IMPELLER OPTIONS



BOLTED PF3 HYDROFOIL



ONE PIECE PF3 HYDROFOIL



MARINE PROP



NAME	DATE
DRAWN JDF	12/11/13
CHECKED TS	12/11/13

PROPRIETARY AND CONFIDENTIAL
THE INFORMATION CONTAINED IN THIS DRAWING IS THE SOLE PROPERTY OF FUSION FLUID EQUIPMENT LLC. ANY REPRODUCTION IN PART OR AS A WHOLE WITHOUT THE WRITTEN PERMISSION OF FUSION FLUID EQUIPMENT LLC IS PROHIBITED.

WHILE FUSION FLUID EQUIPMENT LLC STRIVES TO MAINTAIN THE INTEGRITY OF A DESIGN AS APPROVED, FUSION FLUID EQUIPMENT LLC RETAINS THE RIGHT TO MAKE MODIFICATIONS DURING THE MANUFACTURING PROCESS TO IMPROVE FIT, FORM, AND FUNCTION OF THE DESIGN WITHOUT CUSTOMER NOTIFICATION OR CONSENT.

UNLESS OTHERWISE SPECIFIED: DIMENSIONS ARE IN INCHES. NO TOLERANCE IS IMPLIED. DO NOT SCALE DRAWING



TITLE: **FUSION FLOW FG-S SIDE ENTRY FLANGE MOUNT MIXER GEAR DRIVE**

SIZE	DWG. NO.	REV
A	SALES-FG-#S-#	A
SCALE: 1:16 WEIGHT:		SHEET 1 OF 1