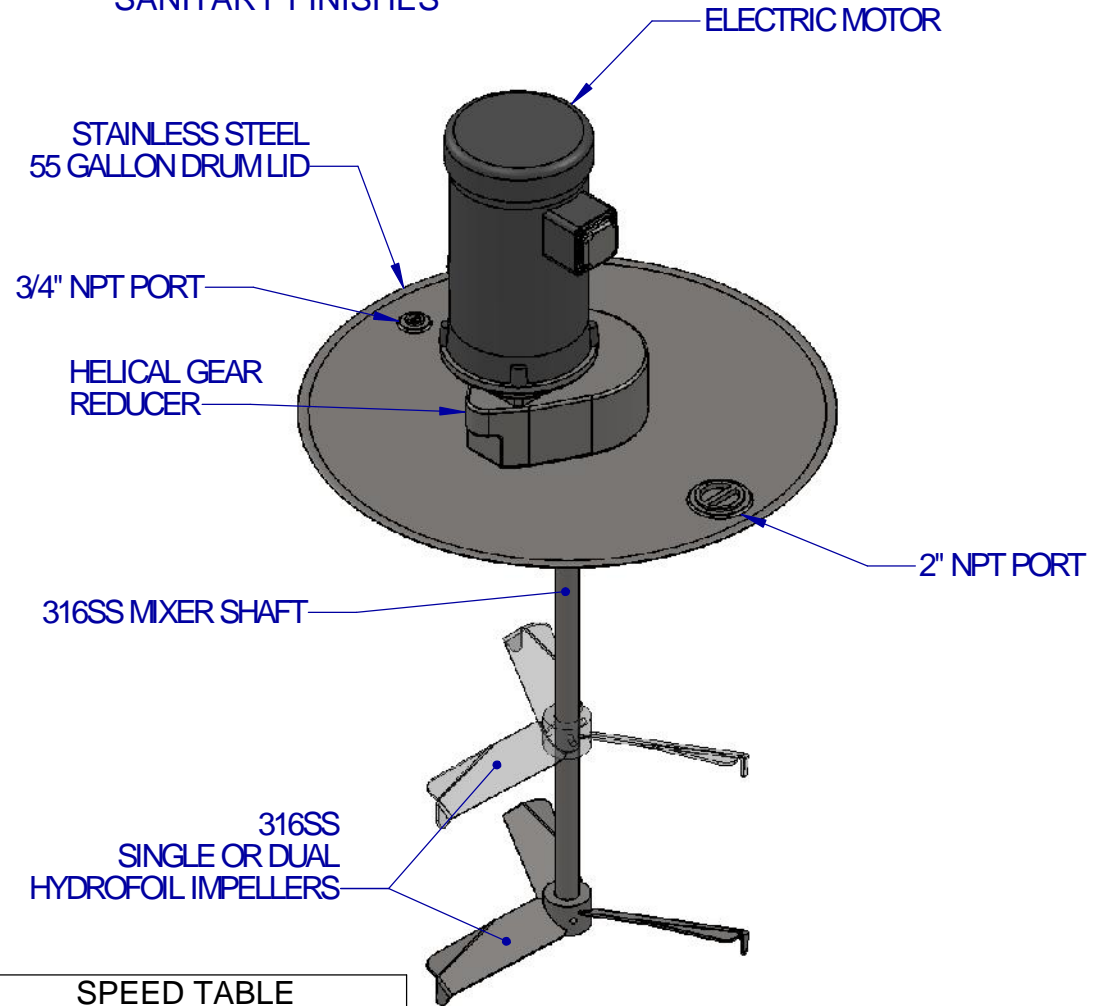
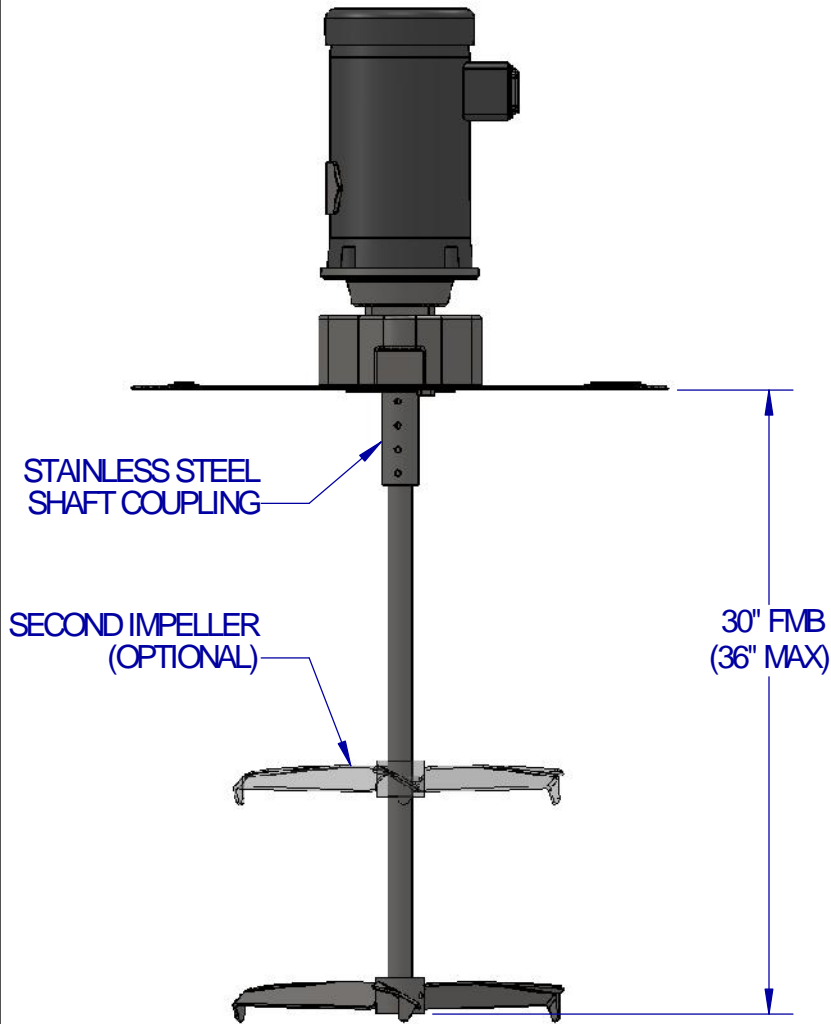


STANDARD FEATURES:

- PAINTED THREE PHASE 208-220/440/60 ELECTRIC MOTOR
- HELICAL GEARBOX - 5:1 REDUCTION RATIO
- 350 RPM NOMINAL OUTPUT
- 55 GALLON DRUM LID WITH TWO STANDARD NPT PORTS
- 316SS WETTED PARTS
- 1" X 30" FMB SHAFT STANDARD (UP TO 36" MAX)
- SINGLE OR DUAL HYDROFOIL IMPELLERS WITH SET SCREW ATTACHMENT

OPTIONAL FEATURES:

- SINGLE PHASE TEFC MOTOR
- EXPLOSION PROOF MOTOR
- ALTERNATE IMPELLER SIZES AND TYPES
- ALL STAINLESS STEEL UPGRADE WITH STAINLESS MOTOR, STAINLESS MOUNT & STAINLESS FASTENERS
- SANITARY FINISHES



SPEED TABLE	
350 RPM	STANDARD
230 RPM	OPTIONAL
288 RPM	OPTIONAL
438 RPM	OPTIONAL
583 RPM	OPTIONAL

DRAWN	NAME	DATE
JDF	JDF	12/2/13
CHECKED	PIC	12/2/13

PROPRIETARY AND CONFIDENTIAL

THE INFORMATION CONTAINED IN THIS DRAWING IS THE SOLE PROPERTY OF FUSION FLUID EQUIPMENT LLC. ANY REPRODUCTION IN PART OR AS A WHOLE WITHOUT THE WRITTEN PERMISSION OF FUSION FLUID EQUIPMENT LLC IS PROHIBITED.

WHILE FUSION FLUID EQUIPMENT LLC STRIVES TO MAINTAIN THE INTEGRITY OF A DESIGN AS APPROVED, FUSION FLUID EQUIPMENT LLC RETAINS THE RIGHT TO MAKE MODIFICATIONS DURING THE MANUFACTURING PROCESS TO IMPROVE FIT, FORM, AND FUNCTION OF THE DESIGN WITHOUT CUSTOMER NOTIFICATION OR CONSENT.



TITLE: DRUM LID MIXER GEAR DRIVE ELECTIC		
SIZE A	DWG. NO. SALES-BG-#D-#	REV A
SCALE: 1:16	WEIGHT:	SHEET 1 OF 1

UNLESS OTHERWISE SPECIFIED:
DIMENSIONS ARE IN INCHES.
NO TOLERANCE IS IMPLIED.
DO NOT SCALE DRAWING