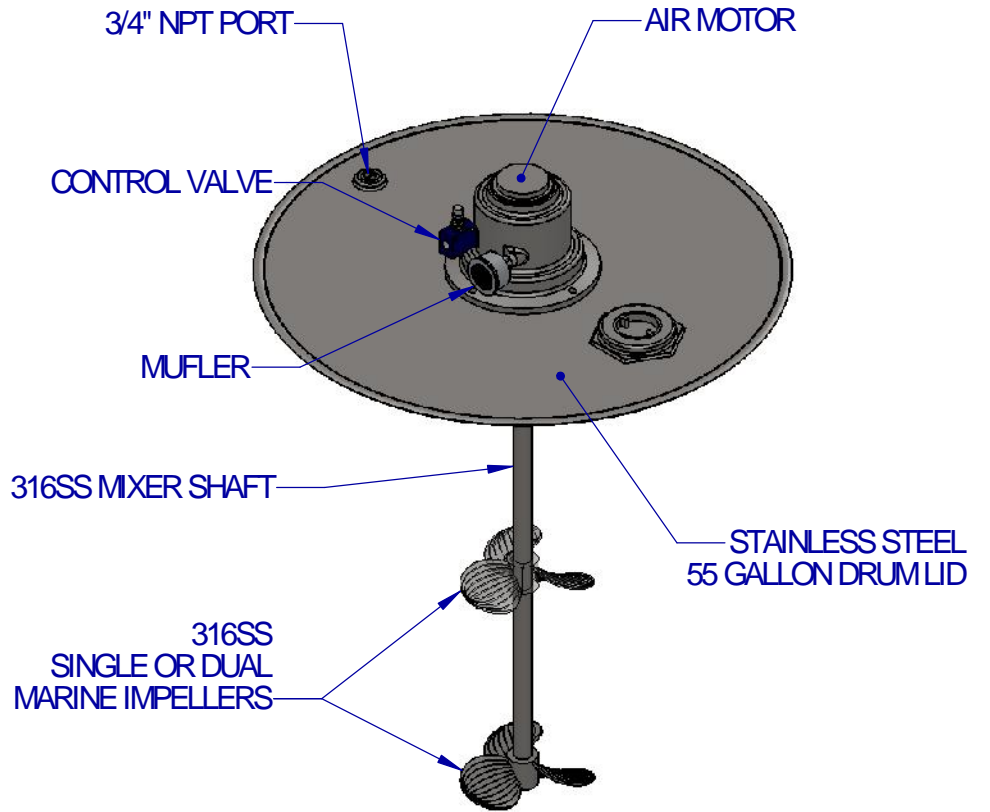
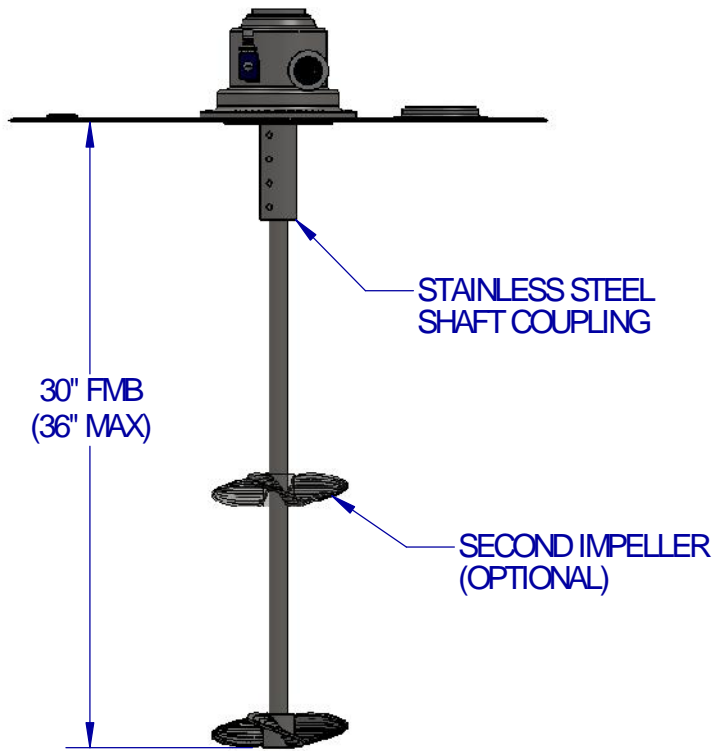


STANDARD FEATURES:

- PAINTED AIR MOTOR WITH MUFFLER
- 55 GALLON DRUM LID WITH TWO STANDARD NPT PORTS
- 316SS WETTED PARTS
- 3/4" X 30" FMB SHAFT STANDARD (UP TO 36" MAX)
- SINGLE OR DUAL MARINE IMPELLERS WITH SET SCREW ATTACHMENT
- SPEED CONTROL VALVE

OPTIONAL FEATURES:

- PNEUMATIC CONTROLS
- FILTER/REGULATOR/LUBRICATOR (FRL)
- ALTERNATE IMPELLER SIZES AND TYPES
- ALL STAINLESS STEEL UPGRADE WITH STAINLESS MOTOR, STAINLESS MOUNT & STAINLESS FASTENERS
- SANITARY FINISHES



AIR CONSUMPTION	
1 HP	40 CFM @ 80 PSI
2 HP	60 CFM @ 70 PSI
3 HP	90 CFM @ 100 PSI

NAME	DATE
DRAWN JDF	11/27/13
CHECKED TS	11/27/13

PROPRIETARY AND CONFIDENTIAL
 THE INFORMATION CONTAINED IN THIS DRAWING IS THE SOLE PROPERTY OF FUSION FLUID EQUIPMENT LLC. ANY REPRODUCTION IN PART OR AS A WHOLE WITHOUT THE WRITTEN PERMISSION OF FUSION FLUID EQUIPMENT LLC IS PROHIBITED.



TITLE: DRUM LID MIXER DIRECT DRIVE WITH AIR		
SIZE A	DWG. NO. SALES-BDA-#D	REV A
SCALE: 1:48	WEIGHT:	SHEET 1 OF 1

EST WT: 37-56 LBS (DEPENDING ON HP AND OPTIONS)

UNLESS OTHERWISE SPECIFIED:
 DIMENSIONS ARE IN INCHES.
 NO TOLERANCE IS IMPLIED.
 DO NOT SCALE DRAWING

WHILE FUSION FLUID EQUIPMENT LLC STRIVES TO MAINTAIN THE INTEGRITY OF A DESIGN AS APPROVED, FUSION FLUID EQUIPMENT LLC RETAINS THE RIGHT TO MAKE MODIFICATIONS DURING THE MANUFACTURING PROCESS TO IMPROVE FIT, FORM, AND FUNCTION OF THE DESIGN WITHOUT CUSTOMER NOTIFICATION OR CONSENT.