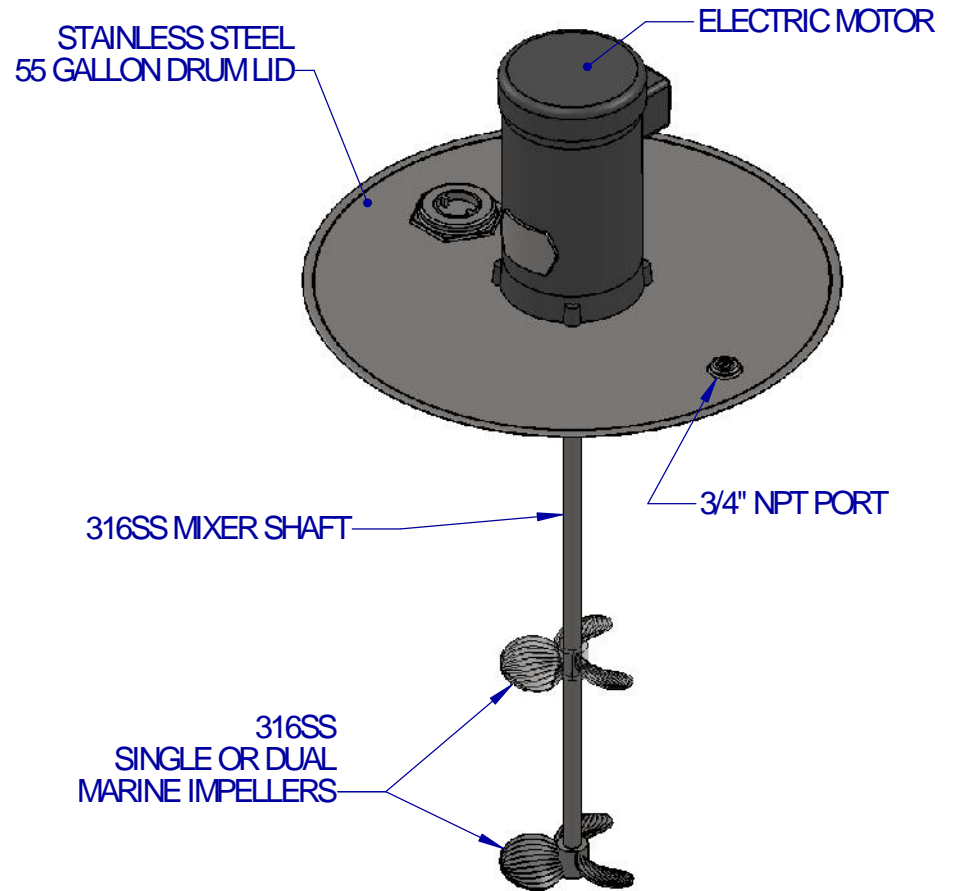
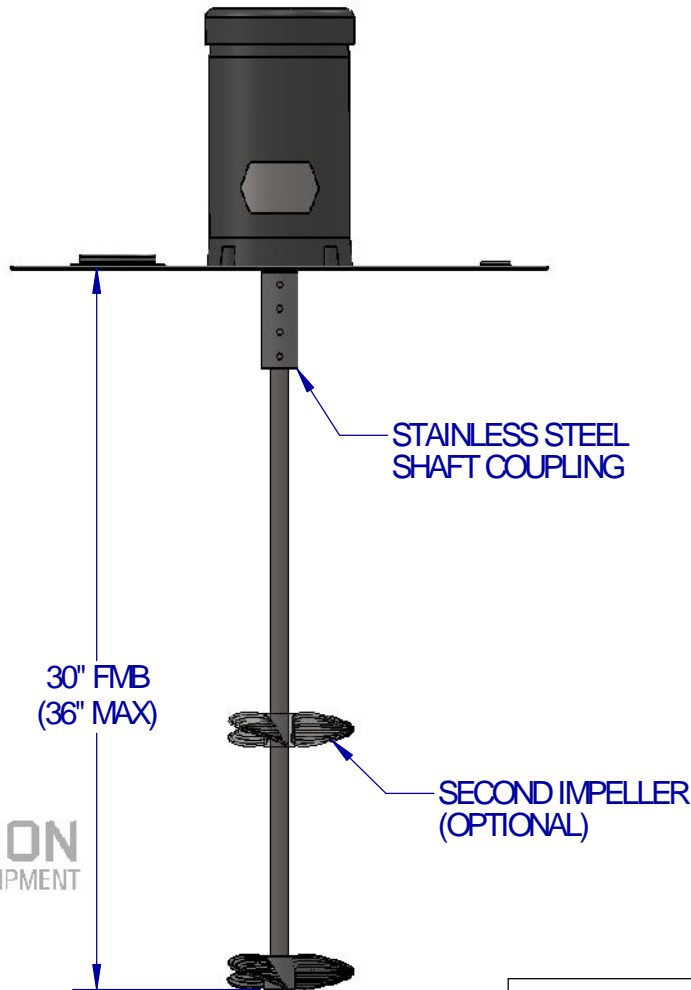


STANDARD FEATURES:

PAINTED THREE PHASE 208-230/480/60 ELECTRIC MOTOR
 55 GALLON DRUM LID WITH TWO STANDARD NPT PORTS
 316SS WETTED PARTS
 3/4" X 30" FMB SHAFT STANDARD (UP TO 36" MAX)
 SINGLE OR DUAL MARINE IMPELLERS
 WITH SET SCREW ATTACHMENT

OPTIONAL FEATURES:

SINGLE PHASE TEFC MOTOR
 EXPLOSION PROOF MOTOR
 ALTERNATE IMPELLER SIZES AND TYPES
 ALL STAINLESS STEEL UPGRADE WITH STAINLESS MOTOR,
 STAINLESS MOUNT & STAINLESS FASTENERS
 SANITARY FINISHES



EST WT: 50-73 LBS (DEPENDING ON HP AND OPTIONS)

SPEED TABLE	
1750 RPM	STANDARD
1150 RPM	OPTIONAL
3600 RPM	OPTIONAL

	NAME	DATE
DRAWN	JDF	12/2/13
CHECKED	TS	12/2/13

PROPRIETARY AND CONFIDENTIAL
 THE INFORMATION CONTAINED IN THIS DRAWING IS THE SOLE PROPERTY OF FUSION FLUID EQUIPMENT LLC. ANY REPRODUCTION IN PART OR AS A WHOLE WITHOUT THE WRITTEN PERMISSION OF FUSION FLUID EQUIPMENT LLC IS PROHIBITED.

WHILE FUSION FLUID EQUIPMENT LLC STRIVES TO MAINTAIN THE INTEGRITY OF A DESIGN AS APPROVED, FUSION FLUID EQUIPMENT LLC RETAINS THE RIGHT TO MAKE MODIFICATIONS DURING THE MANUFACTURING PROCESS TO IMPROVE FIT, FORM, AND FUNCTION OF THE DESIGN WITHOUT CUSTOMER NOTIFICATION OR CONSENT.

UNLESS OTHERWISE SPECIFIED:
 DIMENSIONS ARE IN INCHES.
 NO TOLERANCE IS IMPLIED.
 DO NOT SCALE DRAWING

FUSION FLUID EQUIPMENT		TITLE:	
		DRUM LID MIXER DIRECT DRIVE WITH ELECTRIC	
SIZE	DWG. NO.	REV	
A	SALES-BD-#D-#	A	
SCALE: 1:48		WEIGHT:	SHEET 1 OF 1