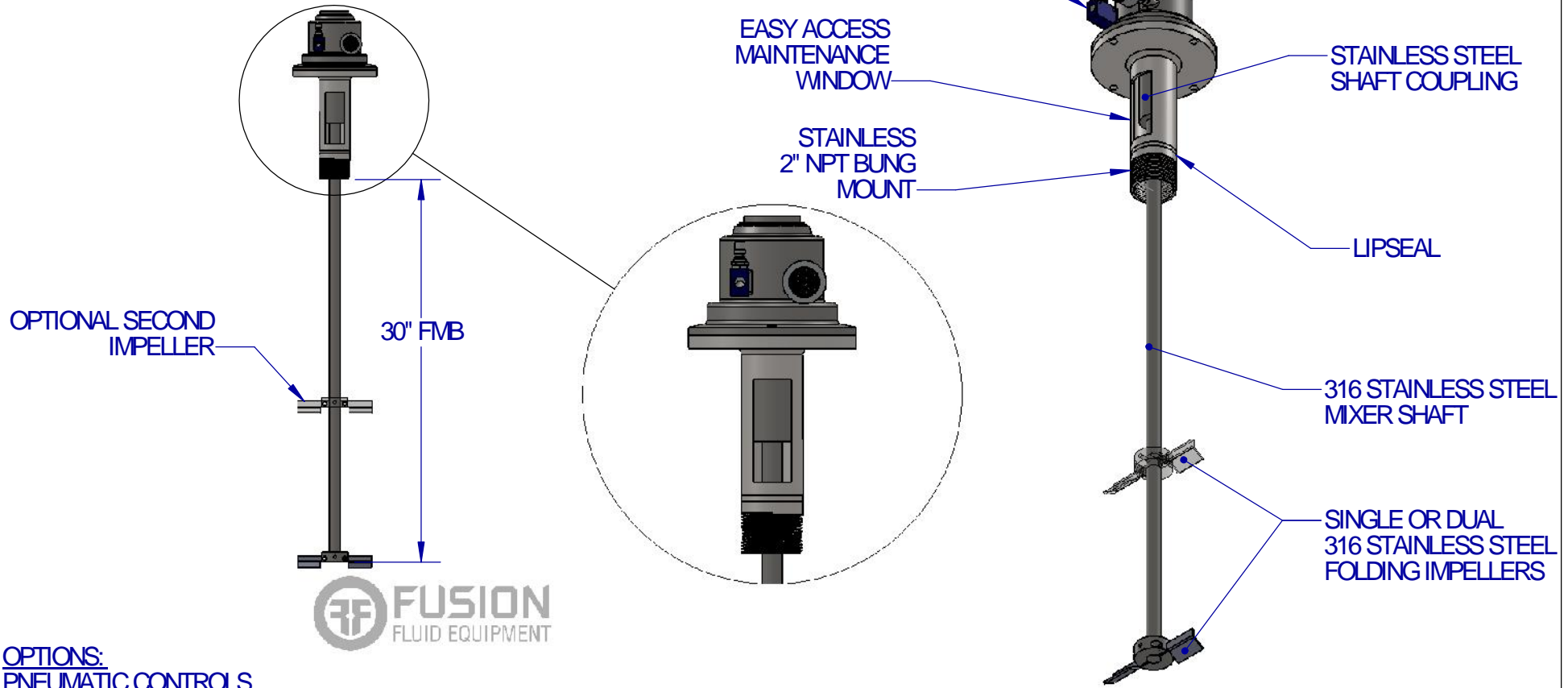


**STANDARD FEATURES:**

- PAINTED AIR MOTOR WITH MUFFLER
- 2" NPT BUNG MOUNT WITH ACCESS WINDOW AND LIPSEAL GLAND
- VITON LIPSEAL
- 316SS WETTED PARTS
- 3/4" X 30" FMB SHAFT (UP TO 36" MAX)
- SINGLE OR DUAL FOLDING IMPELLERS WITH SET SCREW ATTACHMENT
- SPEED CONTROL VALVE



AIR CONSUMPTION	
1HP	40 CFM @ 80 PSI
2 HP	60 CFM @ 70 PSI
3 HP	90 CFM @ 100 PSI



**OPTIONS:**

- PNEUMATIC CONTROLS
- FILTER, LUBRICATOR, AND REGULATOR
- EPDM OR FDA-RULON LIPSEAL
- ALTERNATE IMPELLER SIZES AND TYPES
- ALL STAINLESS STEEL UPGRADE WITH STAINLESS MOTOR,
- STAINLESS MOUNT & STAINLESS FASTENERS
- SANITARY FINISHES

EST WT. 20-30 LBS (DEPENDING ON HP AND OPTIONS)

DETAIL UNIT  
DETAIL VIEW

	NAME	DATE
DRAWN	JDF	11/27/13
CHECKED	PIC	11/27/13

PROPRIETARY AND CONFIDENTIAL

THE INFORMATION CONTAINED IN THIS DRAWING IS THE SOLE PROPERTY OF FUSION FLUID EQUIPMENT LLC. ANY REPRODUCTION IN PART OR AS A WHOLE WITHOUT THE WRITTEN PERMISSION OF FUSION FLUID EQUIPMENT LLC IS PROHIBITED.

WHILE FUSION FLUID EQUIPMENT LLC STRIVES TO MAINTAIN THE INTEGRITY OF A DESIGN AS APPROVED, FUSION FLUID EQUIPMENT LLC RETAINS THE RIGHT TO MAKE MODIFICATIONS DURING THE MANUFACTURING PROCESS TO IMPROVE FIT, FORM, AND FUNCTION OF THE DESIGN WITHOUT CUSTOMER NOTIFICATION OR CONSENT.

UNLESS OTHERWISE SPECIFIED:  
DIMENSIONS ARE IN INCHES.  
NO TOLERANCE IS IMPLIED.  
DO NOT SCALE DRAWING



TITLE:  
**BUNG MOUNT DRUM MIXER WITH LIPSEAL - DIRECT DRIVE**

SIZE	DWG. NO.	REV
<b>A</b>	<b>SALES-BDA-#BL</b>	<b>A</b>
SCALE: 1:12	WEIGHT:	SHEET 1 OF 1