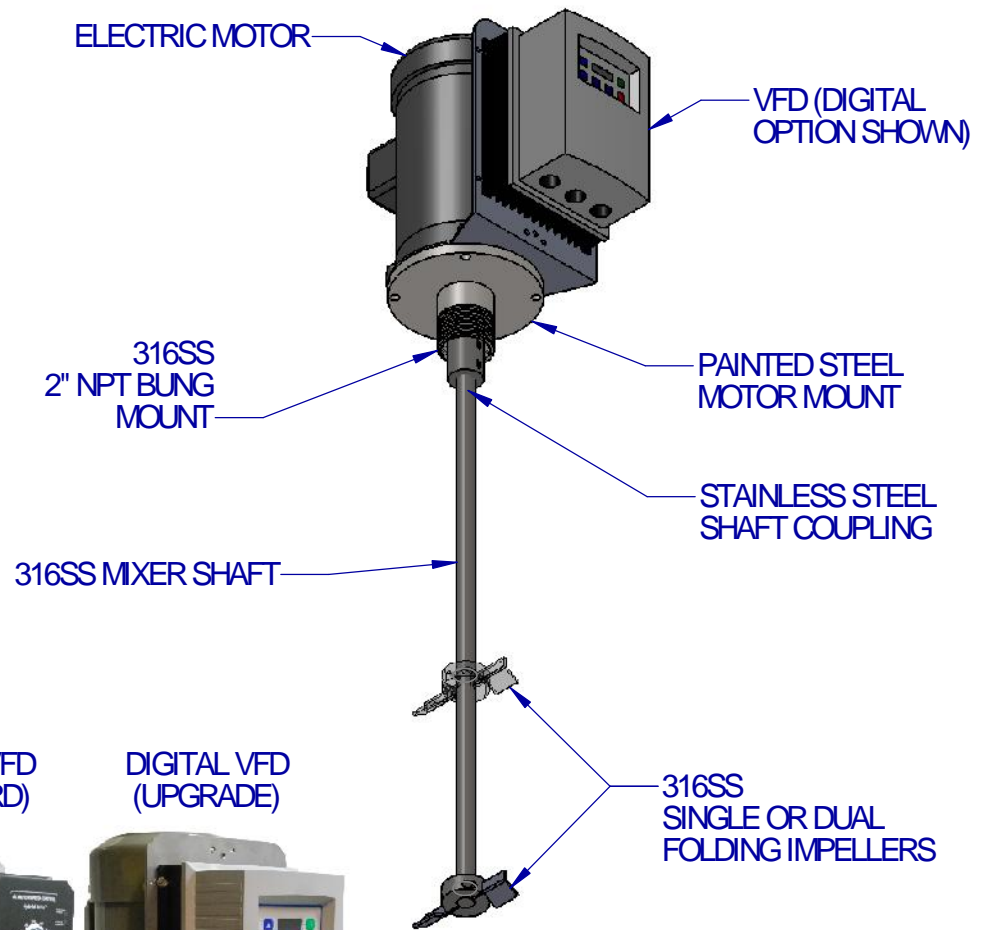
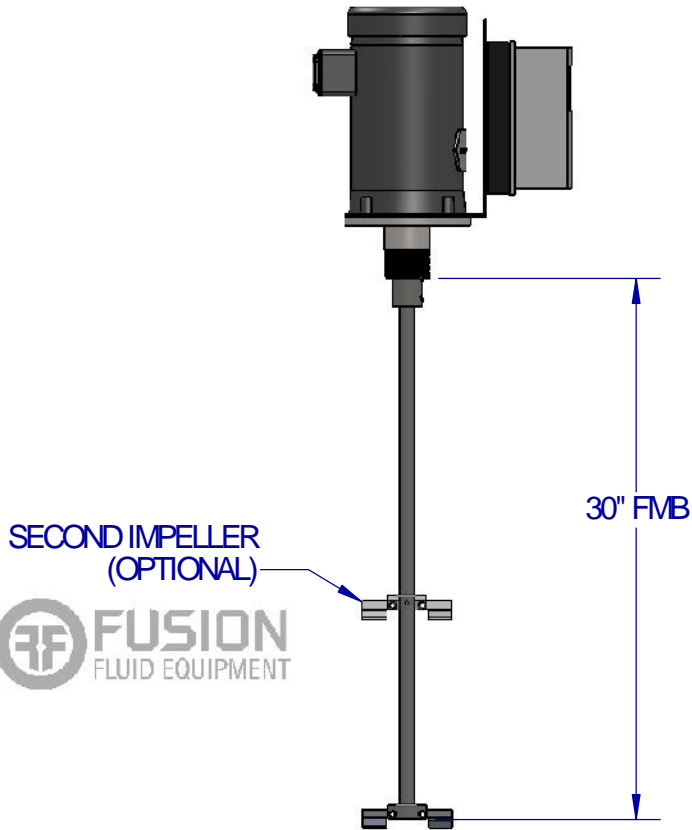


**STANDARD FEATURES:**

- PAINTED THREE PHASE 208-220/440/60 ELECTRIC MOTOR
- 316SS WETTED PARTS
- 3/4" X 30" FMB SHAFT (UP TO 36" MAX)
- SINGLE OR DUAL FOLDING IMPELLERS WITH SET SCREW ATTACHMENT
- ANALOG SPEED CONTROL (VFD)

**OPTIONAL FEATURES:**

- SINGLE PHASE TEFC MOTOR
- EXPLOSION PROOF MOTOR
- ALTERNATE IMPELLER SIZES AND TYPES
- ALL STAINLESS STEEL UPGRADE WITH STAINLESS MOTOR, STAINLESS MOUNT & STAINLESS FASTENERS
- SANITARY FINISHES
- DIGITAL SPEED CONTROL (VFD)



ANALOG VFD (STANDARD)

DIGITAL VFD (UPGRADE)



	NAME	DATE
DRAWN	JDF	11/27/13
CHECKED	PIC	11/27/13

PROPRIETARY AND CONFIDENTIAL  
 THE INFORMATION CONTAINED IN THIS DRAWING IS THE SOLE PROPERTY OF FUSION FLUID EQUIPMENT LLC. ANY REPRODUCTION IN PART OR AS A WHOLE WITHOUT THE WRITTEN PERMISSION OF FUSION FLUID EQUIPMENT LLC IS PROHIBITED.



TITLE: BUNG MOUNT DRUM MIXER DIRECT DRIVE ELECTRIC WITH VFD

SIZE	DWG. NO.	REV
A	SALES-BD-#B-V#	A

SCALE: 1:12	WEIGHT:	SHEET 1 OF 1
-------------	---------	--------------

UNLESS OTHERWISE SPECIFIED:  
 DIMENSIONS ARE IN INCHES.  
 NO TOLERANCE IS IMPLIED.  
 DO NOT SCALE DRAWING

WHILE FUSION FLUID EQUIPMENT LLC STRIVES TO MAINTAIN THE INTEGRITY OF A DESIGN AS APPROVED, FUSION FLUID EQUIPMENT LLC RETAINS THE RIGHT TO MAKE MODIFICATIONS DURING THE MANUFACTURING PROCESS TO IMPROVE FIT, FORM, AND FUNCTION OF THE DESIGN WITHOUT CUSTOMER NOTIFICATION OR CONSENT.

EST WT: 46-69 LBS (DEPENDING ON HP AND OPTIONS)