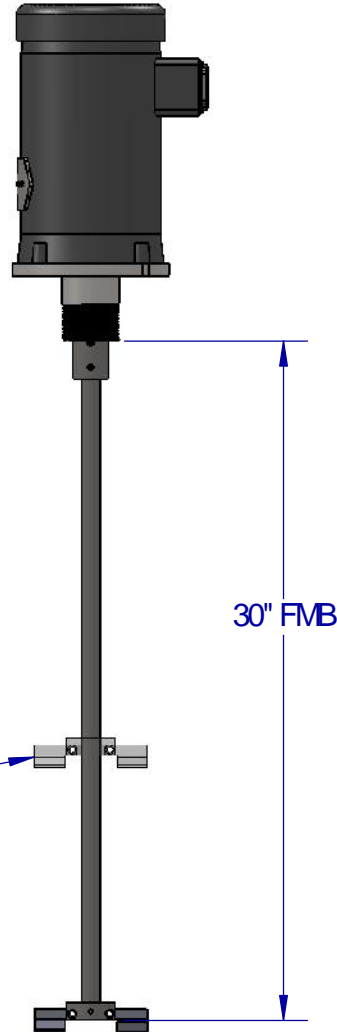


**STANDARD FEATURES:**

- PAINTED THREE PHASE 220/440/60 ELECTRIC MOTOR
- 316SS WETTED PARTS
- 3/4" X 30" FMB SHAFT (UP TO 36" MAX)
- SINGLE OR DUAL FOLDING IMPELLERS WITH SET SCREW ATTACHMENT



SPEED TABLE	
1750 RPM	STANDARD
1150 RPM	OPTIONAL
3600 RPM	OPTIONAL



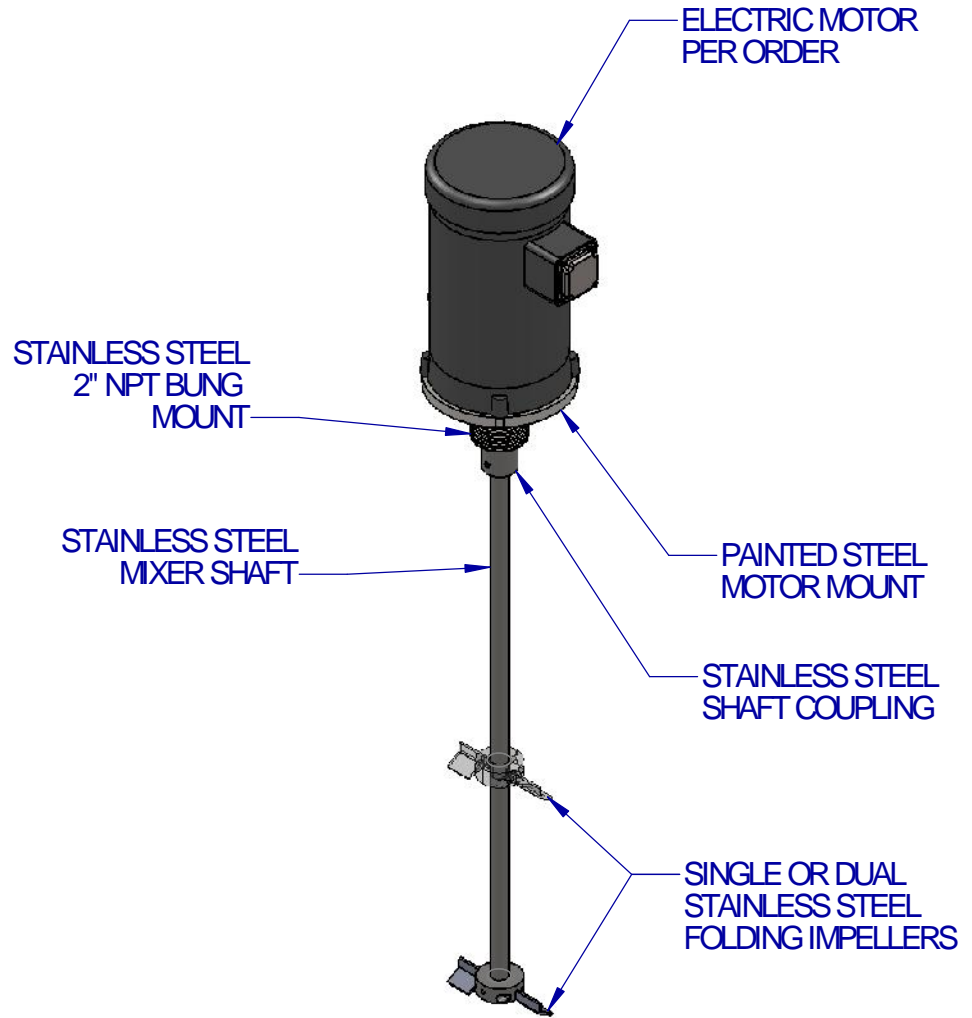
30" FMB

OPTIONAL SECOND IMPELLER

**OPTIONS:**

- SINGLE PHASE TEFC MOTOR
- EXPLOSION PROOF MOTOR
- ALTERNATE IMPELLER SIZES AND TYPES
- ALL STAINLESS STEEL UPGRADE WITH STAINLESS MOTOR, STAINLESS MOUNT & STAINLESS FASTENERS
- SANITARY FINISHES

EST WT: 40-63 LBS (DEPENDING ON HP AND OPTIONS)



ELECTRIC MOTOR PER ORDER

STAINLESS STEEL 2" NPT BUNG MOUNT

STAINLESS STEEL MIXER SHAFT

PAINTED STEEL MOTOR MOUNT

STAINLESS STEEL SHAFT COUPLING

SINGLE OR DUAL STAINLESS STEEL FOLDING IMPELLERS

	NAME	DATE
DRAWN	JDF	11/27/13
CHECKED	PIC	11/27/13

PROPRIETARY AND CONFIDENTIAL

THE INFORMATION CONTAINED IN THIS DRAWING IS THE SOLE PROPERTY OF FUSION FLUID EQUIPMENT LLC. ANY REPRODUCTION IN PART OR AS A WHOLE WITHOUT THE WRITTEN PERMISSION OF FUSION FLUID EQUIPMENT LLC IS PROHIBITED.

WHILE FUSION FLUID EQUIPMENT LLC STRIVES TO MAINTAIN THE INTEGRITY OF A DESIGN AS APPROVED, FUSION FLUID EQUIPMENT LLC RETAINS THE RIGHT TO MAKE MODIFICATIONS DURING THE MANUFACTURING PROCESS TO IMPROVE FIT, FORM, AND FUNCTION OF THE DESIGN WITHOUT CUSTOMER NOTIFICATION OR CONSENT.

UNLESS OTHERWISE SPECIFIED:  
DIMENSIONS ARE IN INCHES.  
NO TOLERANCE IS IMPLIED.  
DO NOT SCALE DRAWING



TITLE: BUNG MOUNT DRUM MIXER DIRECT DRIVE ELECTRIC

SIZE DWG. NO. REV  
A SALES-BD-#B A

SCALE: 1:12 WEIGHT: SHEET 1 OF 1